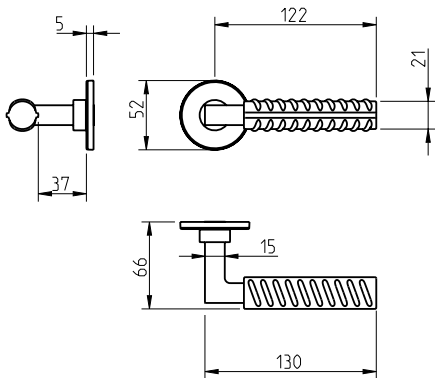


REF. 4210 5S



(03)  
cromado brilhante  
bright chrome



(158)  
purist brass  
purist brass



(195)  
cromado brilhante/preto  
bright chrome/black

### Descrição

Puxador par  
Adaptador com sistema "click"  
Mola recuperadora  
Ferro quadrado de 8x90mm  
Fixação da muleta com perno M6 oculto

### Description

Lever set  
Mechanism with "click" system  
Recovery spring  
8x90mm square spindle  
Handle fixed by a M6 grub screw

### Matéria Prima

Latão CW617N

### Raw Material

Brass CW617N

### Aplicação

Portas interiores com 30mm - 45mm espessura

### Application

Interior doors with 30mm - 45mm thick

### EN 1906

2	7	-	0	0	4	0	B
---	---	---	---	---	---	---	---

(acabamentos / finishes 03)

2	7	-	0	0	3	0	B
---	---	---	---	---	---	---	---

(acabamentos / finishes 158 - 195)