

HOOK BOLT



CONSTRUCTIVE FEATURES:

Zinc and plastic plated steel case and cover - Stainless steel forend - Nickel-plated special alloy hook bolt.

WORKING:

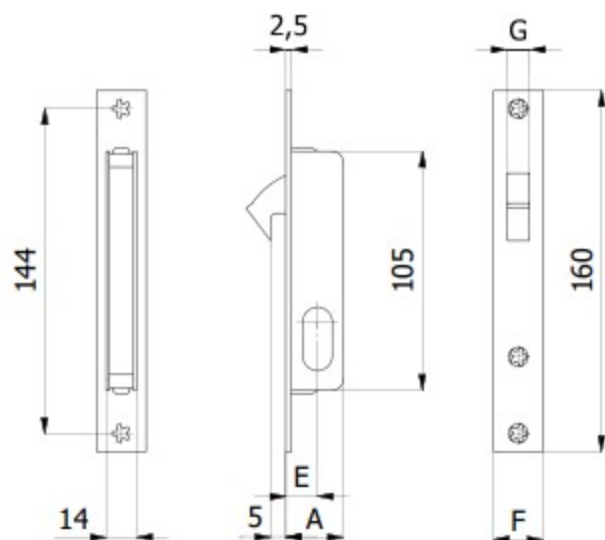
Key driven hook bolt.

HAND:

No hand.

PROVIDED WITH:

Cylinder screw.



COD.	E	F	A	G	Throws			
356	15	16	26	10	1	0,19	1	10
356/F22	15	22	26	10	1	0,21	1	10
356 P1	15	16	26	6	1	0,19	1	10