

ADJUSTABLE LATCH BOLT WITH THROWS

Latch bolt interchangeable with roller bolt cod. 0385



CONSTRUCTIVE FEATURES:

Zinc and plastic plated steel case and cover - Stainless steel forend - Nickel-plated special alloy anti-noise latch bolt - Zinc-plated special alloy square spindle device \varnothing 8 mm.

WORKING:

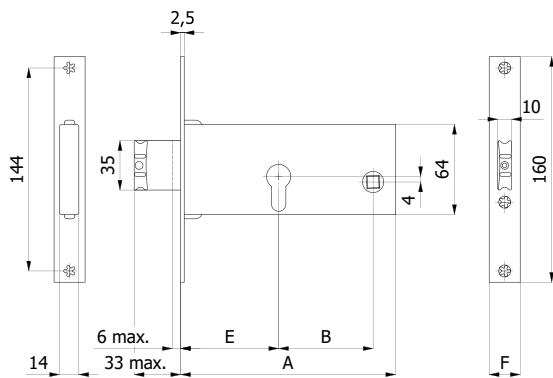
Key driven throws - Handle or key driven latch bolt.

HAND:

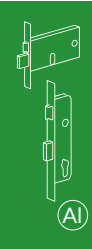
Reversible.

PROVIDED WITH:

Cylinder screw.



COD.	E	F	A	B	Throws	kg		
1780	70	16	153	67	2	0,50	1	10
1780/F22	70	22	153	67	2	0,52	1	10



ADJUSTABLE DEAD BOLT



CONSTRUCTIVE FEATURES:

Zinc and plastic plated steel case and cover - Stainless steel forend - Nickel-plated special alloy dead bolt.

WORKING:

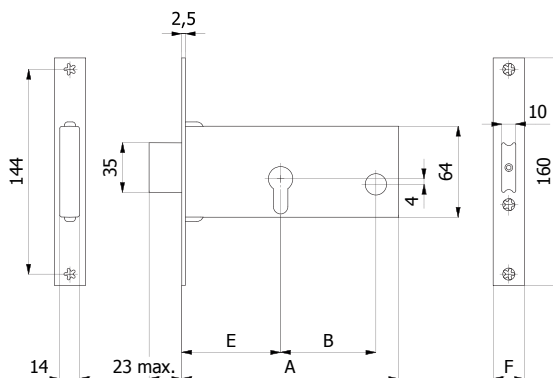
Key driven dead bolt.

HAND:

No hand.

PROVIDED WITH:

Cylinder screw.



COD.	E	F	A	B	Throws	kg		
1781	70	16	153	67	2	0,46	1	10
1781/F22	70	22	153	67	2	0,48	1	10