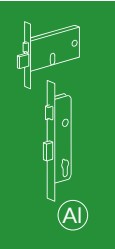
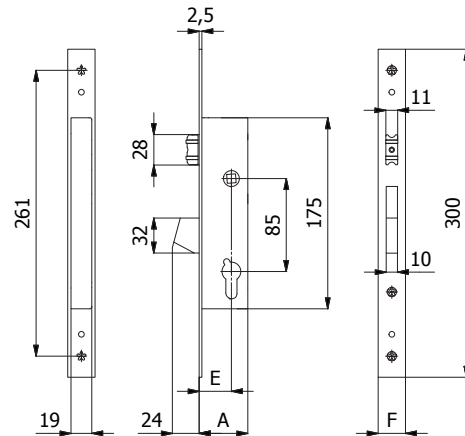


DEAD AND ADJUSTABLE ROLLER BOLT



CONSTRUCTIVE FEATURES:

Zinc and plastic plated steel case and cover - Stainless steel forend - Nickel-plated special alloy self-centering dead bolt with lock-picking system - Nickel-plated brass roller bolt.

WORKING:

Key driven dead bolt - Pressure or key driven roller bolt.

HAND:

No hand.

PROVIDED WITH:

Forend spacer cod. 0623 N (forend 25 mm) or 2 cod. 0625 N (forend 22 mm), stainless steel fixing screws, assembling instructions.

For series 1405: 2 roses cod. 0120 N, cylinder screw.

For series 3405: Cylinder screw.

For series 4405: Cross key cylinder cod. 4052 or 4052/1 (with long keys), 3 keys, 2 roses cod. 0441 N.

COD.	E	F	A	Throws	Cylinder	Key	kg		
1405.25.22	25	22	40	1			0,59	1	5
1405.25.25	25	25	40	1			0,57	1	5
1405.30.22	30	22	45	1		-	0,62	1	5
1405.30.25	30	25	45	1			0,60	1	5
1405.35.22	35	22	50	1			0,64	1	5
1405.35.25	35	25	50	1			0,62	1	5
3405.30.22	30	22	45	1	Swiss profile cylinder	-	0,60	1	5
3405.30.25	30	25	45	1			0,58	1	5
3405.35.22	35	22	50	1		-	0,63	1	5
3405.35.25	35	25	50	1			0,61	1	5
4405.25.22	25	22	40	1			0,67	1	5
4405.25.25	25	25	40	1			0,65	1	5
4405.30.22	30	22	45	1	cod. 4052	cod. 4100	0,72	1	5
4405.30.25	30	25	45	1			0,70	1	5
4405.35.22	35	22	50	1			0,74	1	5
4405.35.25	35	25	50	1			0,72	1	5
4405/1.**.**		Long keys			cod. 4052/1	cod. 4101	+ 0,02	-	-