

Product Data Sheet

Description:

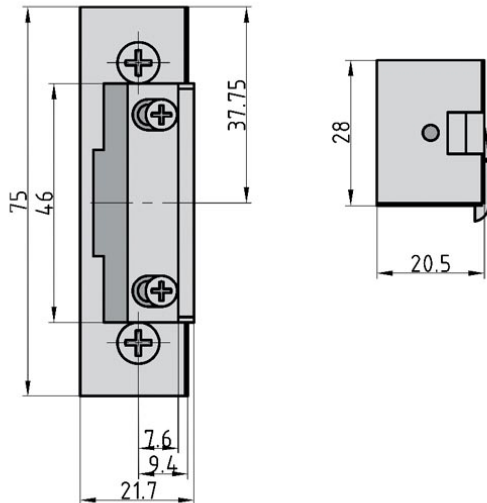
ET 90

ET 90
electric strike, rated voltage: 6-12 volt,
construction form: 20 mm, standard latch function,
symmetrical design, right/left handed use,
without mechanical unlocking

Illustration:



Technical Details:



Details:

Order no.
9200-0009
Weight
182 g
Pricegroup
49
EAN
 4 026434 078572

Konstantinstraße 387
41238 Mönchengladbach
Germany

Tel. +49 (0) 21 66 / 98 56-0
Fax +49 (0) 21 66 / 98 56-55

info@basi.eu
www.basi.eu

Alles in Sicherheit



Product Data Sheet

Description:

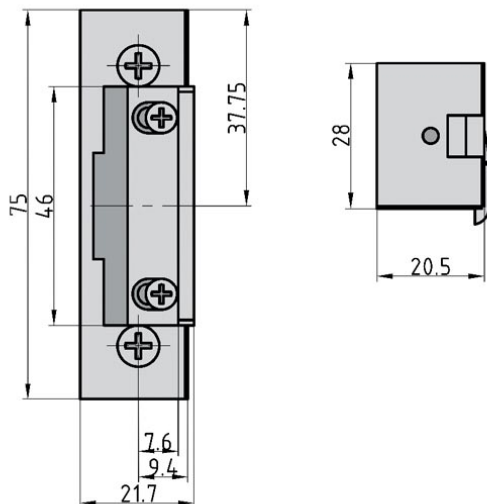
ET 90

ET 90
electric strike, rated voltage: 6-12 volt,
construction form: 20 mm, standard latch function,
symmetrical design, right/left handed use,
with mechanical unlocking

Illustration:



Technical Details:



Details:

Order no.
9200-0010
Weight
186 g
Pricegroup
49
EAN
 4 026434 078589

Konstantinstraße 387
41238 Mönchengladbach
Germany

Tel. +49 (0) 21 66 / 98 56-0
Fax +49 (0) 21 66 / 98 56-55

info@basi.eu
www.basi.eu

Alles in Sicherheit

