

Product Data Sheet

Description:

ES 958

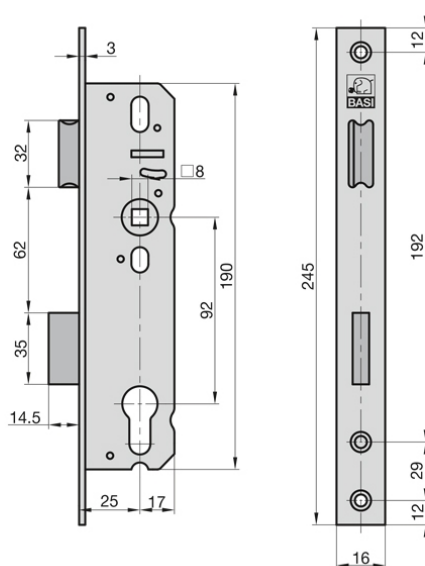
The mortise lock for narrow stile doors ES 958 with profile cylinder hole is ideal for use in tubular frame doors made from metal or plastic. This mortise lock is particularly robust and durable due to the high-quality stainless steel. The lock is suitable for both right-opening and left-opening tubular frame doors. Of course, it is also tested in accordance with DIN 18251-2, Class 1, and therefore meets all the mortise lock requirements for tubular frame doors.

- Material: Faceplate: stainless steel; Latch and bolt: nickel-plated
- Faceplate: 16 mm, angular
- Backset: 25 mm, Distance: 92 mm, Square spindle: 8 mm
- Suitable for right and left-opening doors (DIN right/left), 1-turn
- Tested in accordance with DIN 18251-2, Class 1


Illustration:



Technical Details:



Details:

Order no.
9585-2516
Weight
477 g
Pricegroup
16
EAN
 4 026434 113181

Konstantinstraße 387
41238 Mönchengladbach
Germany

Tel. +49 (0) 21 66 / 98 56-0
Fax +49 (0) 21 66 / 98 56-55

info@basi.eu
www.basi.eu

Alles in Sicherheit



Product Data Sheet

Description:

ES 958

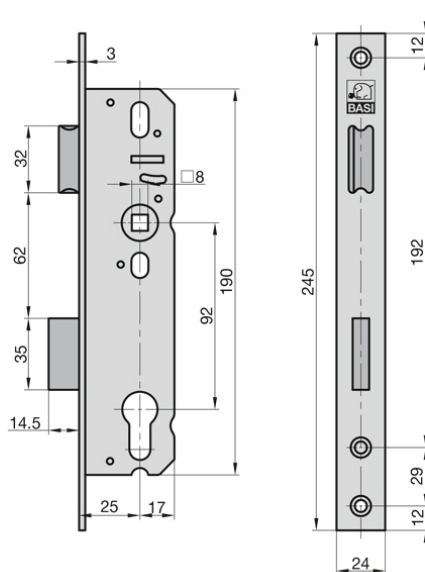
The mortise lock for narrow stile doors ES 958 with profile cylinder hole is ideal for use in tubular frame doors made from metal or plastic. This mortise lock is particularly robust and durable due to the high-quality stainless steel. The lock is suitable for both right-opening and left-opening tubular frame doors. Of course, it is also tested in accordance with DIN 18251-2, Class 1, and therefore meets all the mortise lock requirements for tubular frame doors.

- Material: Faceplate: stainless steel; Latch and bolt: nickel-plated
- Faceplate: 24 mm, angular
- Backset: 25 mm, Distance: 92 mm, Square spindle: 8 mm
- Suitable for right and left-opening doors (DIN right/left), 1-turn
- Tested in accordance with DIN 18251-2, Class 1


Illustration:



Technical Details:



Details:

Order no.
9585-2520
Weight
513 g
Pricegroup
16
EAN
 4 026434 113143

Konstantinstraße 387
41238 Mönchengladbach
Germany

Tel. +49 (0) 21 66 / 98 56-0
Fax +49 (0) 21 66 / 98 56-55

info@basi.eu
www.basi.eu

Alles in Sicherheit



Product Data Sheet

Description:

ES 958U

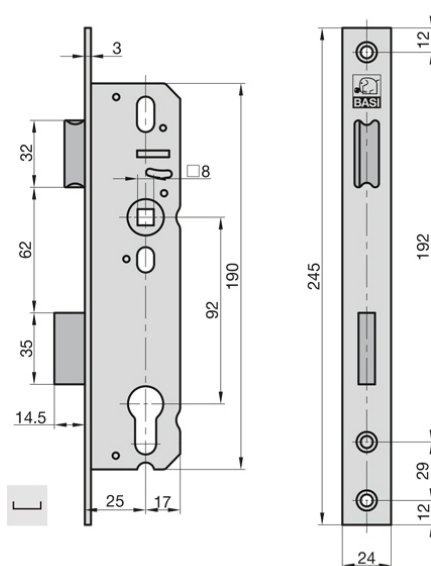
The mortise lock for narrow stile doors ES 958U with profile cylinder hole is ideal for use in tubular frame doors made from metal or plastic. This mortise lock is particularly robust and durable due to the high-quality stainless steel. The lock is suitable for both right-opening and left-opening tubular frame doors. Of course, it is also tested in accordance with DIN 18251-2, Class 1, and therefore meets all the mortise lock requirements for tubular frame doors.

- Material: Faceplate: stainless steel; Latch and bolt: nickel-plated
- U-shaped faceplate: 6 x 24 mm
- Backset: 25 mm, Distance: 92 mm, Square spindle: 8 mm
- Suitable for right and left-opening doors (DIN right/left), 1-turn
- Tested in accordance with DIN 18251-2, Class 1


Illustration:



Technical Details:



Details:

Order no.
9585-2520U
Weight
515 g
Pricegroup
16
EAN
 4 026434 109757

Konstantinstraße 387
41238 Mönchengladbach
Germany

Tel. +49 (0) 21 66 / 98 56-0
Fax +49 (0) 21 66 / 98 56-55

info@basi.eu
www.basi.eu

Alles in Sicherheit



Product Data Sheet

Description:

ES 958

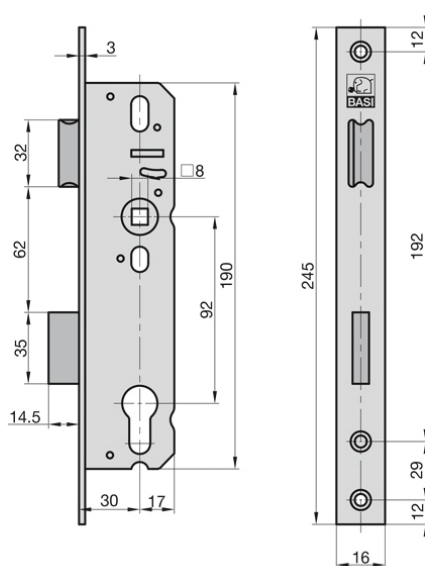
The mortise lock for narrow stile doors ES 958 with profile cylinder hole is ideal for use in tubular frame doors made from metal or plastic. This mortise lock is particularly robust and durable due to the high-quality stainless steel. The lock is suitable for both right-opening and left-opening tubular frame doors. Of course, it is also tested in accordance with DIN 18251-2, Class 1, and therefore meets all the mortise lock requirements for tubular frame doors.

- Material: Faceplate: stainless steel; Latch and bolt: nickel-plated
- Faceplate: 16 mm, angular
- Backset: 30 mm, Distance: 92 mm, Square spindle: 8 mm
- Suitable for right and left-opening doors (DIN right/left), 1-turn
- Tested in accordance with DIN 18251-2, Class 1


Illustration:



Technical Details:



Details:

Order no.
9585-3016
Weight
501 g
Pricegroup
16
EAN
 4 026434 113198

Konstantinstraße 387
41238 Mönchengladbach
Germany

Tel. +49 (0) 21 66 / 98 56-0
Fax +49 (0) 21 66 / 98 56-55

info@basi.eu
www.basi.eu

Alles in Sicherheit



Product Data Sheet

Description:

ES 958

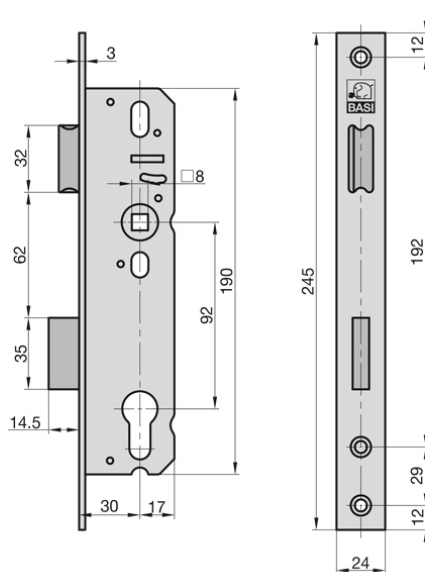
The mortise lock for narrow stile doors ES 958 with profile cylinder hole is ideal for use in tubular frame doors made from metal or plastic. This mortise lock is particularly robust and durable due to the high-quality stainless steel. The lock is suitable for both right-opening and left-opening tubular frame doors. Of course, it is also tested in accordance with DIN 18251-2, Class 1, and therefore meets all the mortise lock requirements for tubular frame doors.

- Material: Faceplate: stainless steel; Latch and bolt: nickel-plated
- Faceplate: 24 mm, angular
- Backset: 30 mm, Distance: 92 mm, Square spindle: 8 mm
- Suitable for right and left-opening doors (DIN right/left), 1-turn
- Tested in accordance with DIN 18251-2, Class 1

Illustration:



Technical Details:



Details:

Order no.
9585-3020
Weight
542 g
Pricegroup
16
EAN
 4 026434 113150

Konstantinstraße 387
41238 Mönchengladbach
Germany

Tel. +49 (0) 21 66 / 98 56-0
Fax +49 (0) 21 66 / 98 56-55

info@basi.eu
www.basi.eu

Alles in Sicherheit



Product Data Sheet

Description:

ES 958U

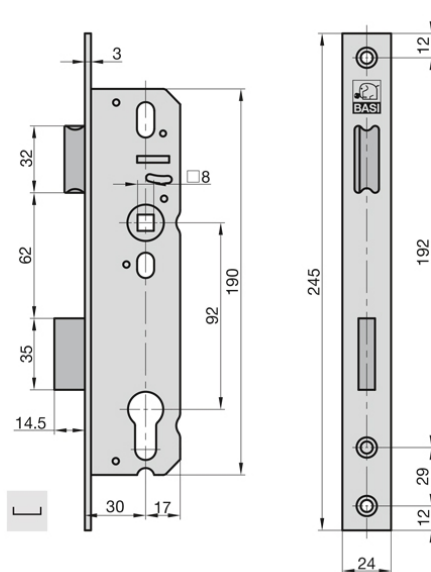
The mortise lock for narrow stile doors ES 958U with profile cylinder hole is ideal for use in tubular frame doors made from metal or plastic. This mortise lock is particularly robust and durable due to the high-quality stainless steel. The lock is suitable for both right-opening and left-opening tubular frame doors. Of course, it is also tested in accordance with DIN 18251-2, Class 1, and therefore meets all the mortise lock requirements for tubular frame doors.

- Material: Faceplate: stainless steel; Latch and bolt: nickel-plated
- U-shaped faceplate: 6 x 24 mm, angular
- Backset: 30 mm, Distance: 92 mm, Square spindle: 8 mm
- Suitable for right and left-opening doors (DIN right/left), 1-turn
- Tested in accordance with DIN 18251-2, Class 1

Illustration:



Technical Details:



Details:

Order no.
9585-3020U
Weight
540 g
Pricegroup
16
EAN
 4 026434 115208

Konstantinstraße 387
41238 Mönchengladbach
Germany

Tel. +49 (0) 21 66 / 98 56-0
Fax +49 (0) 21 66 / 98 56-55

info@basi.eu
www.basi.eu

Alles in Sicherheit



Product Data Sheet

Description:

ES 958

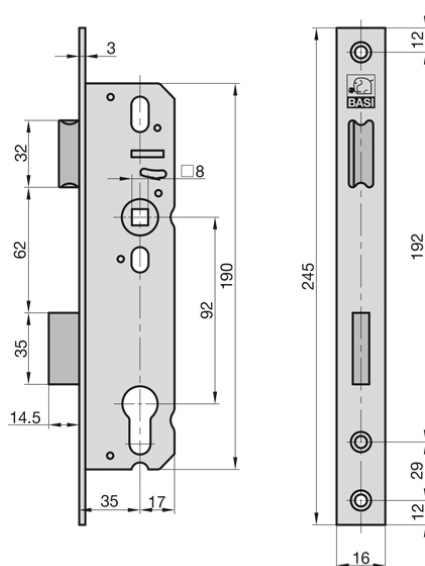
The mortise lock for narrow stile doors ES 958 with profile cylinder hole is ideal for use in tubular frame doors made from metal or plastic. This mortise lock is particularly robust and durable due to the high-quality stainless steel. The lock is suitable for both right-opening and left-opening tubular frame doors. Of course, it is also tested in accordance with DIN 18251-2, Class 1, and therefore meets all the mortise lock requirements for tubular frame doors.

- Material: Faceplate: stainless steel; Latch and bolt: nickel-plated
- Faceplate: 16 mm, angular
- Backset: 35 mm, Distance: 92 mm, Square spindle: 8 mm
- Suitable for right and left-opening doors (DIN right/left), 1-turn
- Tested in accordance with DIN 18251-2, Class 1


Illustration:



Technical Details:



Details:

Order no.
9585-3516
Weight
545 g
Pricegroup
16
EAN
 4 026434 109740

Konstantinstraße 387
41238 Mönchengladbach
Germany

Tel. +49 (0) 21 66 / 98 56-0
Fax +49 (0) 21 66 / 98 56-55

info@basi.eu
www.basi.eu

Alles in Sicherheit



Product Data Sheet

Description:

ES 958

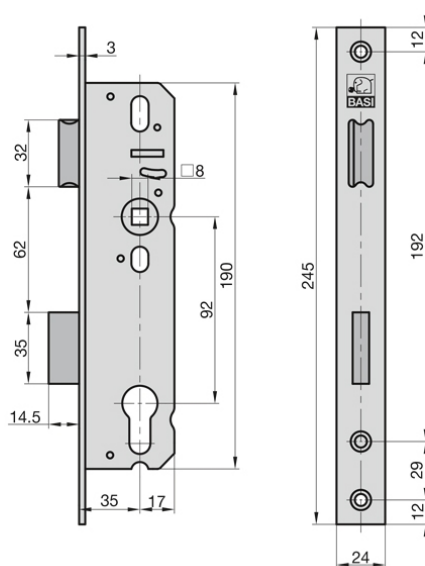
The mortise lock for narrow stile doors ES 958 with profile cylinder hole is ideal for use in tubular frame doors made from metal or plastic. This mortise lock is particularly robust and durable due to the high-quality stainless steel. The lock is suitable for both right-opening and left-opening tubular frame doors. Of course, it is also tested in accordance with DIN 18251-2, Class 1, and therefore meets all the mortise lock requirements for tubular frame doors.

- Material: Faceplate: stainless steel; Latch and bolt: nickel-plated
- Faceplate: 24 mm, angular
- Backset: 35 mm, Distance: 92 mm, Square spindle: 8 mm
- Suitable for right and left-opening doors (DIN right/left), 1-turn
- Tested in accordance with DIN 18251-2, Class 1

Illustration:



Technical Details:



Details:

Order no.
9585-3520
Weight
588 g
Pricegroup
16
EAN
 4 026434 113167

Konstantinstraße 387
41238 Mönchengladbach
Germany

Tel. +49 (0) 21 66 / 98 56-0
Fax +49 (0) 21 66 / 98 56-55

info@basi.eu
www.basi.eu

Alles in Sicherheit



Product Data Sheet

Description:

ES 958U

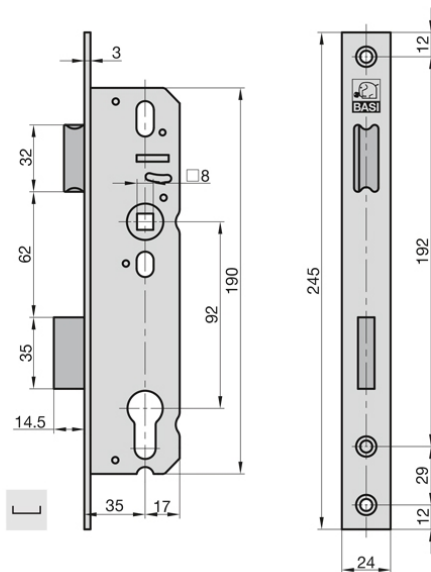
The mortise lock for narrow stile doors ES 958U with profile cylinder hole is ideal for use in tubular frame doors made from metal or plastic. This mortise lock is particularly robust and durable due to the high-quality stainless steel. The lock is suitable for both right-opening and left-opening tubular frame doors. Of course, it is also tested in accordance with DIN 18251-2, Class 1, and therefore meets all the mortise lock requirements for tubular frame doors.

- Material: Faceplate: stainless steel; Latch and bolt: nickel-plated
- U-shaped faceplate: 6 x 24 mm, angular
- Backset: 35 mm, Distance: 92 mm, Square spindle: 8 mm
- Suitable for right and left-opening doors (DIN right/left), 1-turn
- Tested in accordance with DIN 18251-2, Class 1

Illustration:



Technical Details:



Details:

Order no.
9585-3520U
Weight
587 g
Pricegroup
16
EAN
 4 026434 115215

Konstantinstraße 387
41238 Mönchengladbach
Germany

Tel. +49 (0) 21 66 / 98 56-0
Fax +49 (0) 21 66 / 98 56-55

info@basi.eu
www.basi.eu

Alles in Sicherheit



Product Data Sheet

Description:

ES 958

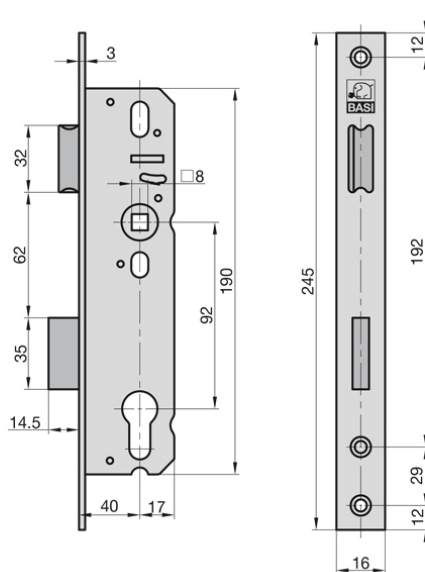
The mortise lock for narrow stile doors ES 958 with profile cylinder hole is ideal for use in tubular frame doors made from metal or plastic. This mortise lock is particularly robust and durable due to the high-quality stainless steel. The lock is suitable for both right-opening and left-opening tubular frame doors. Of course, it is also tested in accordance with DIN 18251-2, Class 1, and therefore meets all the mortise lock requirements for tubular frame doors.

- Material: Faceplate: stainless steel; Latch and bolt: nickel-plated
- Faceplate: 16 mm, angular
- Backset: 40 mm, Distance: 92 mm, Square spindle: 8 mm
- Suitable for right and left-opening doors (DIN right/left), 1-turn
- Tested in accordance with DIN 18251-2, Class 1

Illustration:



Technical Details:



Details:

Order no.
9585-4016
Weight
575 g
Pricegroup
16
EAN
 4 026434 109771

Konstantinstraße 387
41238 Mönchengladbach
Germany

Tel. +49 (0) 21 66 / 98 56-0
Fax +49 (0) 21 66 / 98 56-55

info@basi.eu
www.basi.eu

Alles in Sicherheit



Product Data Sheet

Description:

ES 958

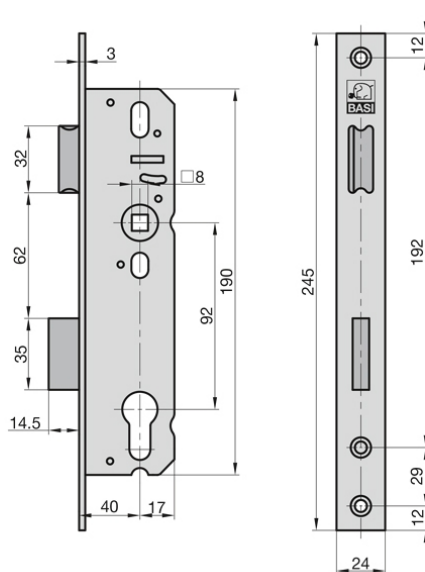
The mortise lock for narrow stile doors ES 958 with profile cylinder hole is ideal for use in tubular frame doors made from metal or plastic. This mortise lock is particularly robust and durable due to the high-quality stainless steel. The lock is suitable for both right-opening and left-opening tubular frame doors. Of course, it is also tested in accordance with DIN 18251-2, Class 1, and therefore meets all the mortise lock requirements for tubular frame doors.

- Material: Faceplate: stainless steel; Latch and bolt: nickel-plated
- Faceplate: 24 mm, angular
- Backset: 40 mm, Distance: 92 mm, Square spindle: 8 mm
- Suitable for right and left-opening doors (DIN right/left), 1-turn
- Tested in accordance with DIN 18251-2, Class 1

Illustration:



Technical Details:



Details:

Order no.
9585-4020
Weight
623 g
Pricegroup
16
EAN
 4 026434 113174

Konstantinstraße 387
41238 Mönchengladbach
Germany

Tel. +49 (0) 21 66 / 98 56-0
Fax +49 (0) 21 66 / 98 56-55

info@basi.eu
www.basi.eu

Alles in Sicherheit



Product Data Sheet

Description:

ES 958U

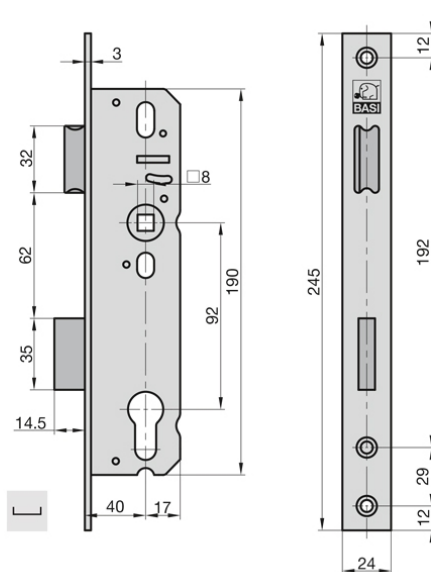
The mortise lock for narrow stile doors ES 958U with profile cylinder hole is ideal for use in tubular frame doors made from metal or plastic. This mortise lock is particularly robust and durable due to the high-quality stainless steel. The lock is suitable for both right-opening and left-opening tubular frame doors. Of course, it is also tested in accordance with DIN 18251-2, Class 1, and therefore meets all the mortise lock requirements for tubular frame doors.

- Material: Faceplate: stainless steel; Latch and bolt: nickel-plated
- Faceplate: 24 mm, angular
- Backset: 40 mm, Distance: 92 mm, Square spindle: 8 mm
- Suitable for right and left-opening doors (DIN right/left), 1-turn
- Tested in accordance with DIN 18251-2, Class 1


Illustration:



Technical Details:



Details:

Order no.
9585-4020U
Weight
620 g
Pricegroup
16
EAN
 4 026434 115222

Konstantinstraße 387
41238 Mönchengladbach
Germany

Tel. +49 (0) 21 66 / 98 56-0
Fax +49 (0) 21 66 / 98 56-55

info@basi.eu
www.basi.eu

Alles in Sicherheit

