

ES 958

Product Data Sheet



Description:

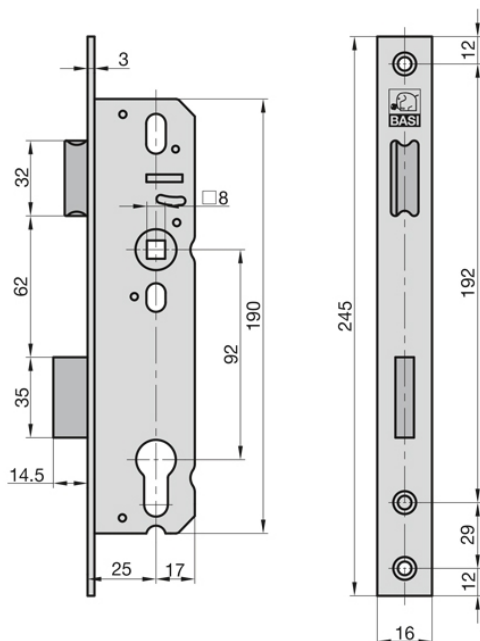
The mortise lock for narrow stile doors ES 958 with profile cylinder hole is ideal for use in tubular frame doors made from metal or plastic. This mortise lock is particularly robust and durable due to the high-quality stainless steel. The lock is suitable for both right-opening and left-opening tubular frame doors. Of course, it is also tested in accordance with DIN 18251-2, Class 1, and therefore meets all the mortise lock requirements for tubular frame doors.

- material: faceplate: stainless steel; latch and bolt: nickel-plated
- faceplate: 16 mm, angular
- backset: 25 mm, distance: 92 mm, square spindle: 8 mm
- suitable for right and left-opening doors (DIN right/left), 1-turn
- tested in accordance with DIN 18251-2, class 1


Illustration:



Technical Details:



Details:

Order no.
9585-2516
Weight
477 g
Pricegroup
16
EAN
 4 026434 111318 1

ES 958

Product Data Sheet



Description:

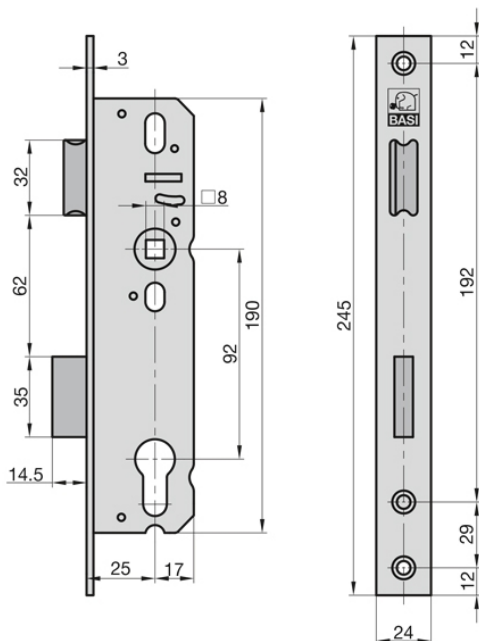
The mortise lock for narrow stile doors ES 958 with profile cylinder hole is ideal for use in tubular frame doors made from metal or plastic. This mortise lock is particularly robust and durable due to the high-quality stainless steel. The lock is suitable for both right-opening and left-opening tubular frame doors. Of course, it is also tested in accordance with DIN 18251-2, Class 1, and therefore meets all the mortise lock requirements for tubular frame doors.

- Material: Faceplate: stainless steel; Latch and bolt: nickel-plated
- Faceplate: 24 mm, angular
- Backset: 25 mm, Distance: 92 mm, Square spindle: 8 mm
- Suitable for right and left-opening doors (DIN right/left), 1-turn
- Tested in accordance with DIN 18251-2, Class 1

Illustration:



Technical Details:



Details:

Order no.
9585-2520
Weight
513 g
Pricegroup
16
EAN
 4 026434 113143

ES 958L - 25 mm

Product Data Sheet



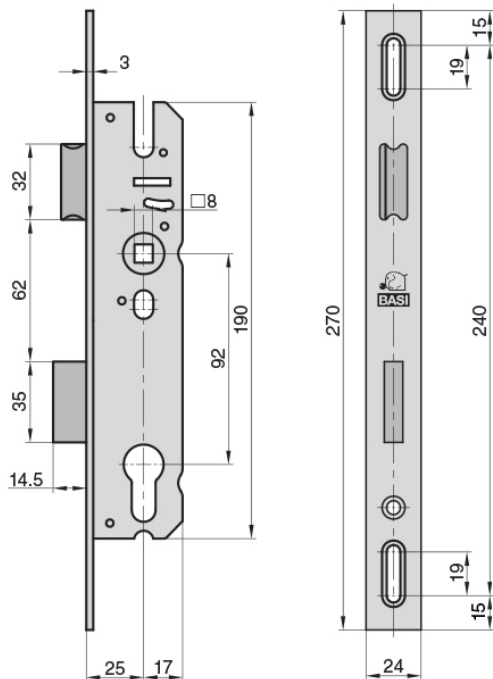
Description:

ES 958L - 25 mm
mortise lock for tubular frame doors, PZW, 25/92/8 mm,
faceplate 24/270 mm, angular, long holes, stainless
steel,
right/left handed use, single turn


Illustration:



Technical Details:



Details:

Order no.
9585-2520L
Weight
534 g
Pricegroup
16
EAN
 4 026434 476255

ES 958U

Product Data Sheet



Description:

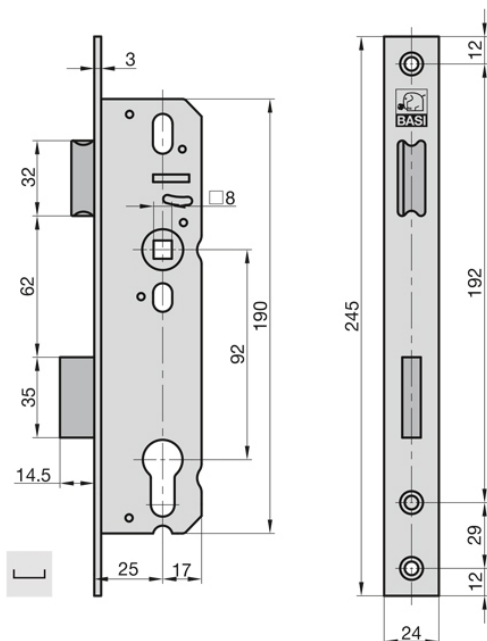
The mortise lock for narrow stile doors ES 958U with profile cylinder hole is ideal for use in tubular frame doors made from metal or plastic. This mortise lock is particularly robust and durable due to the high-quality stainless steel. The lock is suitable for both right-opening and left-opening tubular frame doors. Of course, it is also tested in accordance with DIN 18251-2, Class 1, and therefore meets all the mortise lock requirements for tubular frame doors.

- material: faceplate: stainless steel; latch and bolt: nickel-plated
- U-shaped faceplate: 6 x 24 mm
- backset: 25 mm, distance: 92 mm, square spindle: 8 mm
- suitable for right and left-opening doors (DIN right/left), 1-turn
- tested in accordance with DIN 18251-2, class 1


Illustration:



Technical Details:



Details:

Order no.
9585-2520U
Weight
515 g
Pricegroup
16
EAN
 4 026434 109757

ES 958

Product Data Sheet



Description:

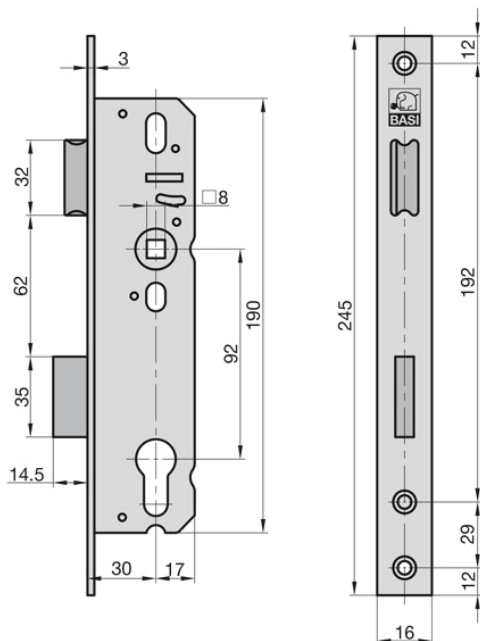
The mortise lock for narrow stile doors ES 958 with profile cylinder hole is ideal for use in tubular frame doors made from metal or plastic. This mortise lock is particularly robust and durable due to the high-quality stainless steel. The lock is suitable for both right-opening and left-opening tubular frame doors. Of course, it is also tested in accordance with DIN 18251-2, Class 1, and therefore meets all the mortise lock requirements for tubular frame doors.

- Material: Faceplate: stainless steel; Latch and bolt: nickel-plated
- Faceplate: 16 mm, angular
- Backset: 30 mm, Distance: 92 mm, Square spindle: 8 mm
- Suitable for right and left-opening doors (DIN right/left), 1-turn
- Tested in accordance with DIN 18251-2, Class 1


Illustration:



Technical Details:



Details:

Order no.
9585-3016
Weight
501 g
Pricegroup
16
EAN
 4 026434 111319 8

ES 958

Product Data Sheet



Description:

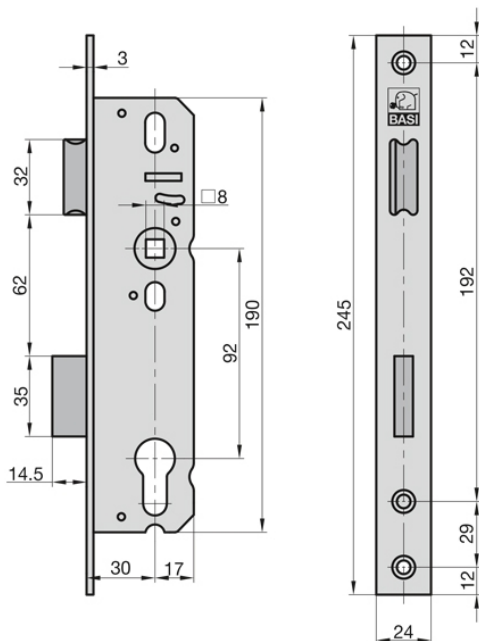
The mortise lock for narrow stile doors ES 958 with profile cylinder hole is ideal for use in tubular frame doors made from metal or plastic. This mortise lock is particularly robust and durable due to the high-quality stainless steel. The lock is suitable for both right-opening and left-opening tubular frame doors. Of course, it is also tested in accordance with DIN 18251-2, Class 1, and therefore meets all the mortise lock requirements for tubular frame doors.

- Material: Faceplate: stainless steel; Latch and bolt: nickel-plated
- Faceplate: 24 mm, angular
- Backset: 30 mm, Distance: 92 mm, Square spindle: 8 mm
- Suitable for right and left-opening doors (DIN right/left), 1-turn
- Tested in accordance with DIN 18251-2, Class 1

Illustration:



Technical Details:



Details:

Order no.
9585-3020
Weight
542 g
Pricegroup
16
EAN
 4 026434 111315 0

ES 958L - 30 mm

Product Data Sheet



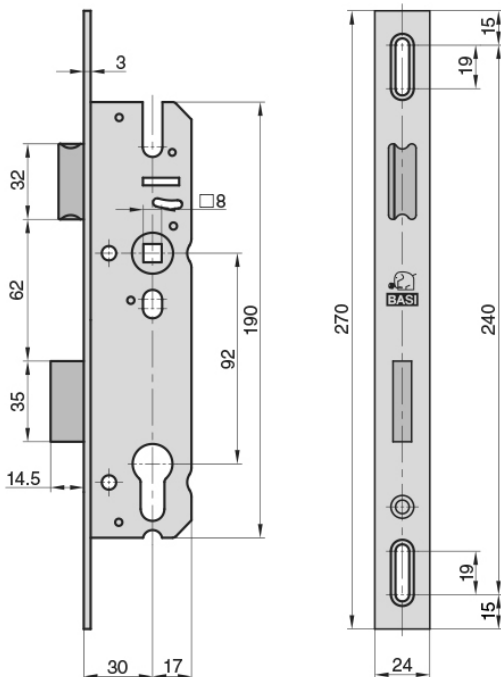
Description:

ES 958L - 30 mm
mortise lock for tubular frame doors, PZW, 30/92/8 mm,
faceplate 24/270 mm, angular, long holes, stainless
steel,
right/left handed use, single turn

Illustration:



Technical Details:



Details:

Order no.
9585-3020L
Weight
558 g
Pricegroup
16
EAN
 4 026434 476279

ES 958U

Product Data Sheet



Description:

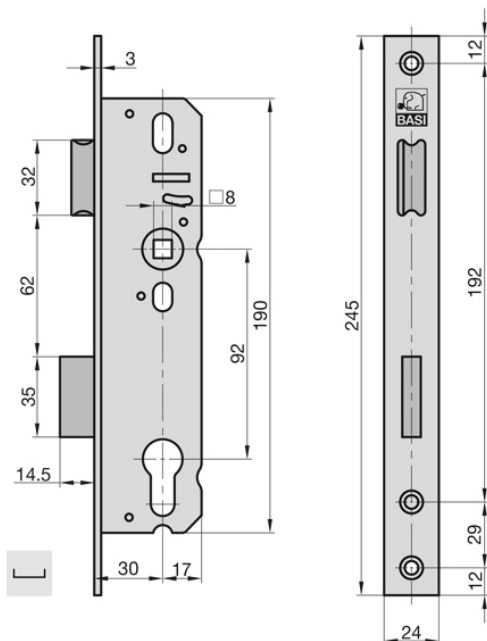
The mortise lock for narrow stile doors ES 958U with profile cylinder hole is ideal for use in tubular frame doors made from metal or plastic. This mortise lock is particularly robust and durable due to the high-quality stainless steel. The lock is suitable for both right-opening and left-opening tubular frame doors. Of course, it is also tested in accordance with DIN 18251-2, Class 1, and therefore meets all the mortise lock requirements for tubular frame doors.

- Material: Faceplate: stainless steel; Latch and bolt: nickel-plated
- U-shaped faceplate: 6 x 24 mm, angular
- Backset: 30 mm, Distance: 92 mm, Square spindle: 8 mm
- Suitable for right and left-opening doors (DIN right/left), 1-turn
- Tested in accordance with DIN 18251-2, Class 1


Illustration:



Technical Details:



Details:

Order no.
9585-3020U
Weight
540 g
Pricegroup
16
EAN
 4 026434 115208

ES 958

Product Data Sheet



Description:

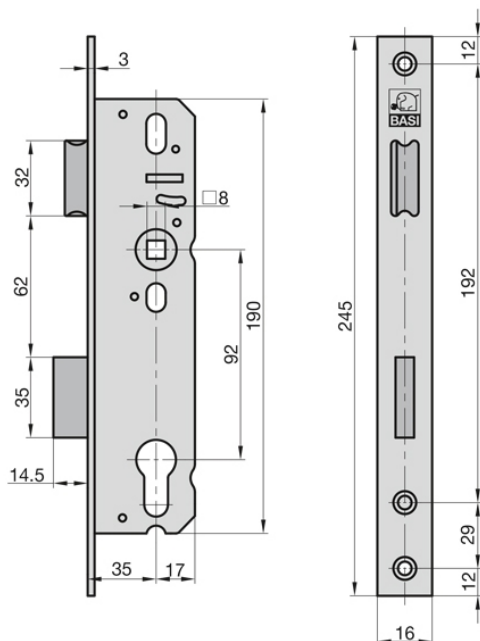
The mortise lock for narrow stile doors ES 958 with profile cylinder hole is ideal for use in tubular frame doors made from metal or plastic. This mortise lock is particularly robust and durable due to the high-quality stainless steel. The lock is suitable for both right-opening and left-opening tubular frame doors. Of course, it is also tested in accordance with DIN 18251-2, Class 1, and therefore meets all the mortise lock requirements for tubular frame doors.

- Material: Faceplate: stainless steel; Latch and bolt: nickel-plated
- Faceplate: 16 mm, angular
- Backset: 35 mm, Distance: 92 mm, Square spindle: 8 mm
- Suitable for right and left-opening doors (DIN right/left), 1-turn
- Tested in accordance with DIN 18251-2, Class 1


Illustration:



Technical Details:



Details:

Order no.
9585-3516
Weight
545 g
Pricegroup
16
EAN
 4 026434 109740

ES 958

Product Data Sheet



Description:

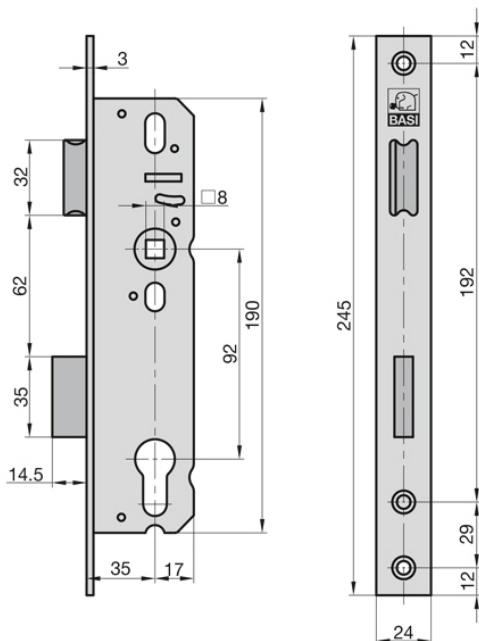
The mortise lock for narrow stile doors ES 958 with profile cylinder hole is ideal for use in tubular frame doors made from metal or plastic. This mortise lock is particularly robust and durable due to the high-quality stainless steel. The lock is suitable for both right-opening and left-opening tubular frame doors. Of course, it is also tested in accordance with DIN 18251-2, Class 1, and therefore meets all the mortise lock requirements for tubular frame doors.

- Material: Faceplate: stainless steel; Latch and bolt: nickel-plated
- Faceplate: 24 mm, angular
- Backset: 35 mm, Distance: 92 mm, Square spindle: 8 mm
- Suitable for right and left-opening doors (DIN right/left), 1-turn
- Tested in accordance with DIN 18251-2, Class 1

Illustration:



Technical Details:



Details:

Order no.
9585-3520
Weight
588 g
Pricegroup
16
EAN
 4 026434 1113167

ES 958L - 35 mm

Product Data Sheet



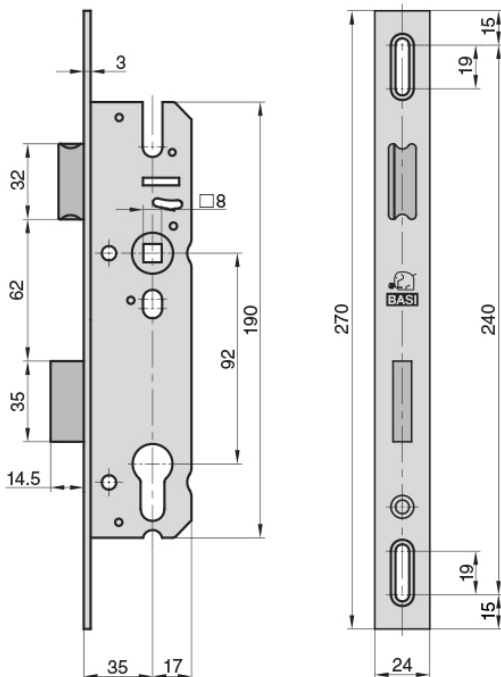
Description:

ES 958L - 35 mm
mortise lock for tubular frame doors, PZW, 35/92/8 mm,
faceplate 24/270 mm, angular, long holes, stainless
steel,
right/left handed use, single turn


Illustration:



Technical Details:



Details:

Order no.
9585-3520L
Weight
602 g
Pricegroup
16
EAN
 4 026434 476293

ES 958U

Product Data Sheet



Description:

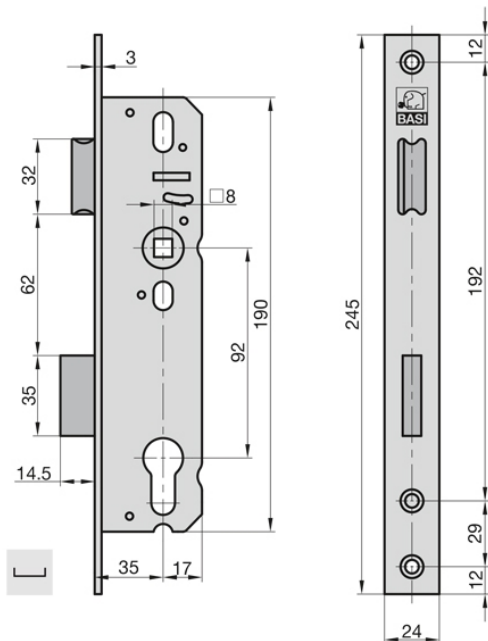
The mortise lock for narrow stile doors ES 958U with profile cylinder hole is ideal for use in tubular frame doors made from metal or plastic. This mortise lock is particularly robust and durable due to the high-quality stainless steel. The lock is suitable for both right-opening and left-opening tubular frame doors. Of course, it is also tested in accordance with DIN 18251-2, Class 1, and therefore meets all the mortise lock requirements for tubular frame doors.

- Material: Faceplate: stainless steel; Latch and bolt: nickel-plated
- U-shaped faceplate: 6 x 24 mm, angular
- Backset: 35 mm, Distance: 92 mm, Square spindle: 8 mm
- Suitable for right and left-opening doors (DIN right/left), 1-turn
- Tested in accordance with DIN 18251-2, Class 1

Illustration:



Technical Details:



Details:

Order no.
9585-3520U
Weight
587 g
Pricegroup
16
EAN
 4 026434 1115215

ES 958

Product Data Sheet



Description:

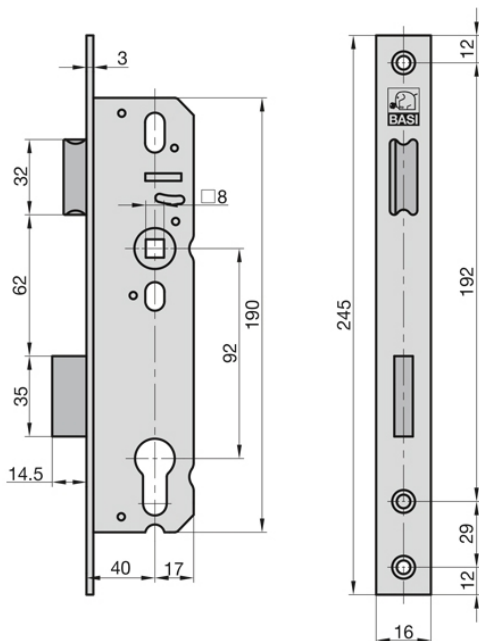
The mortise lock for narrow stile doors ES 958 with profile cylinder hole is ideal for use in tubular frame doors made from metal or plastic. This mortise lock is particularly robust and durable due to the high-quality stainless steel. The lock is suitable for both right-opening and left-opening tubular frame doors. Of course, it is also tested in accordance with DIN 18251-2, Class 1, and therefore meets all the mortise lock requirements for tubular frame doors.

- Material: Faceplate: stainless steel; Latch and bolt: nickel-plated
- Faceplate: 16 mm, angular
- Backset: 40 mm, Distance: 92 mm, Square spindle: 8 mm
- Suitable for right and left-opening doors (DIN right/left), 1-turn
- Tested in accordance with DIN 18251-2, Class 1


Illustration:



Technical Details:



Details:

Order no.
9585-4016
Weight
575 g
Pricegroup
16
EAN
 4 026434 110977 1

ES 958

Product Data Sheet



Description:

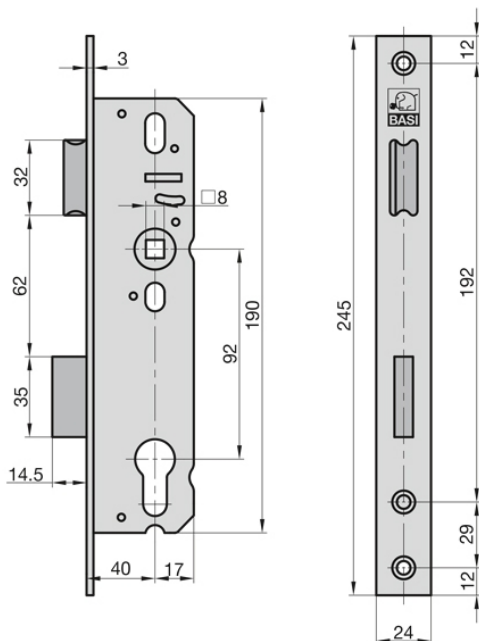
The mortise lock for narrow stile doors ES 958 with profile cylinder hole is ideal for use in tubular frame doors made from metal or plastic. This mortise lock is particularly robust and durable due to the high-quality stainless steel. The lock is suitable for both right-opening and left-opening tubular frame doors. Of course, it is also tested in accordance with DIN 18251-2, Class 1, and therefore meets all the mortise lock requirements for tubular frame doors.

- Material: Faceplate: stainless steel; Latch and bolt: nickel-plated
- Faceplate: 24 mm, angular
- Backset: 40 mm, Distance: 92 mm, Square spindle: 8 mm
- Suitable for right and left-opening doors (DIN right/left), 1-turn
- Tested in accordance with DIN 18251-2, Class 1

Illustration:



Technical Details:



Details:

Order no.
9585-4020
Weight
623 g
Pricegroup
16
EAN
 4 026434 111317 4

ES 958L - 40 mm

Product Data Sheet



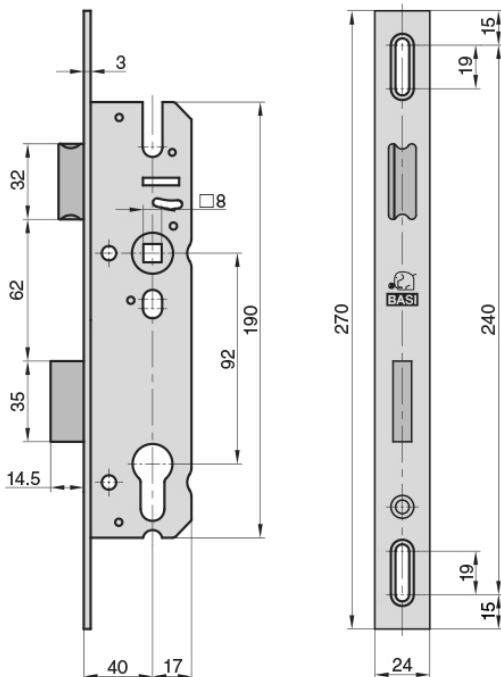
Description:

ES 958L - 40 mm
mortise lock for tubular frame doors, PZW, 40/92/8 mm,
faceplate 24/270 mm, angular, long holes, stainless
steel,
right/left handed use, single turn


Illustration:



Technical Details:



Details:

Order no.
9585-4020L
Weight
634 g
Pricegroup
16
EAN
 4 026434 476316

ES 958U

Product Data Sheet



Description:

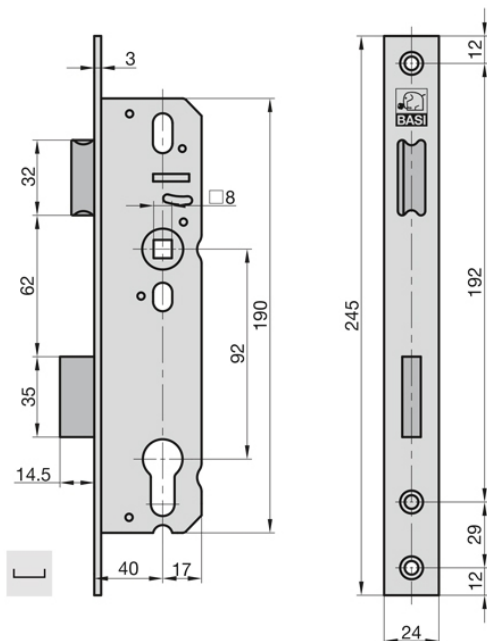
The mortise lock for narrow stile doors ES 958U with profile cylinder hole is ideal for use in tubular frame doors made from metal or plastic. This mortise lock is particularly robust and durable due to the high-quality stainless steel. The lock is suitable for both right-opening and left-opening tubular frame doors. Of course, it is also tested in accordance with DIN 18251-2, Class 1, and therefore meets all the mortise lock requirements for tubular frame doors.

- Material: Faceplate: stainless steel; Latch and bolt: nickel-plated
- Faceplate: 24 mm, angular
- Backset: 40 mm, Distance: 92 mm, Square spindle: 8 mm
- Suitable for right and left-opening doors (DIN right/left), 1-turn
- Tested in accordance with DIN 18251-2, Class 1

Illustration:



Technical Details:



Details:

Order no.
9585-4020U
Weight
620 g
Pricegroup
16
EAN
 4 026434 1115222