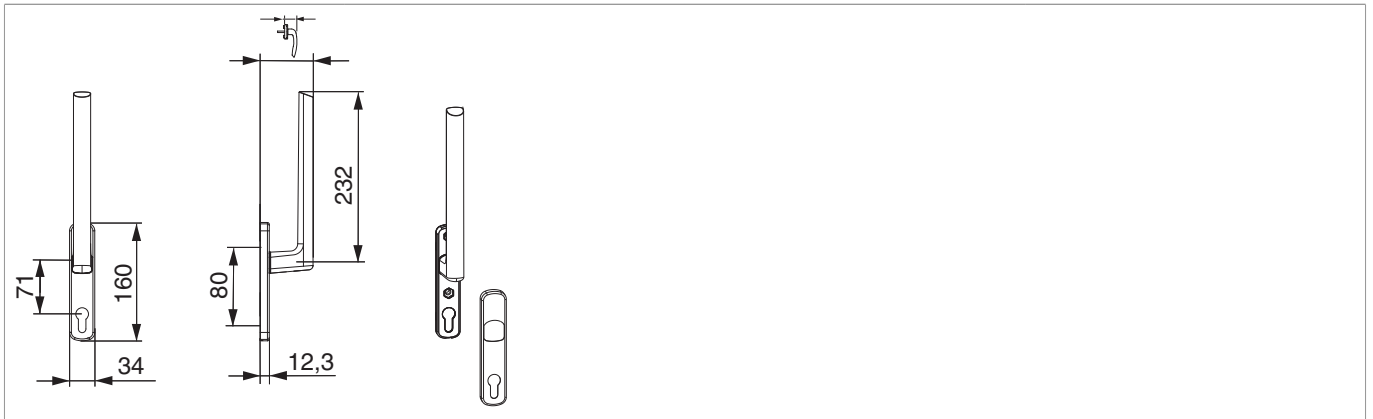




227609 - HS handle 12 external handle PC without spindle 10 jet black RAL 9005 matt

Technical drawing



								No
jet black RAL 9005	external handle	72	34	10	32	powder coated	1	227609

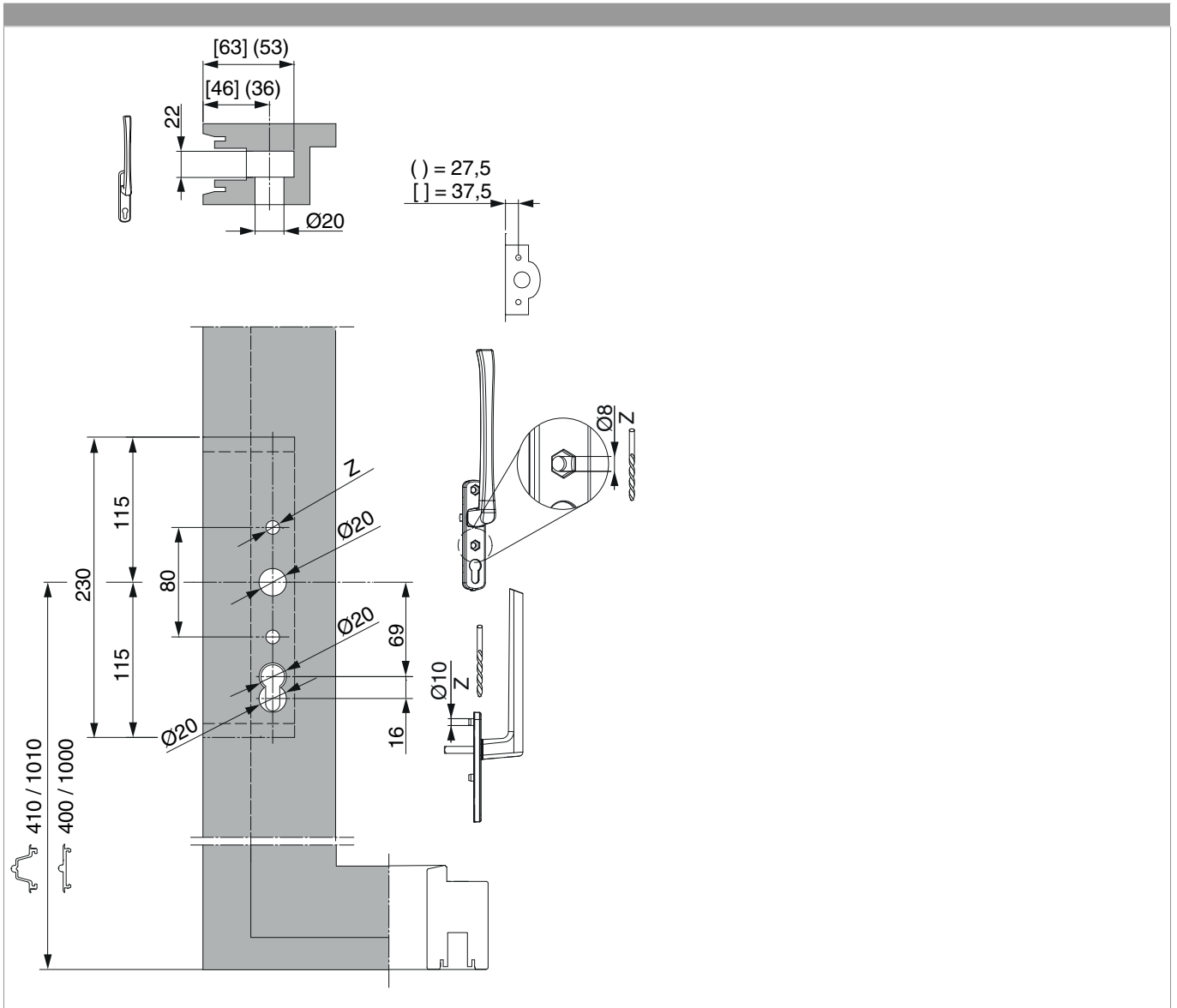
Product image





227609 - HS handle 12 external handle PC without spindle
10 jet black RAL 9005 matt

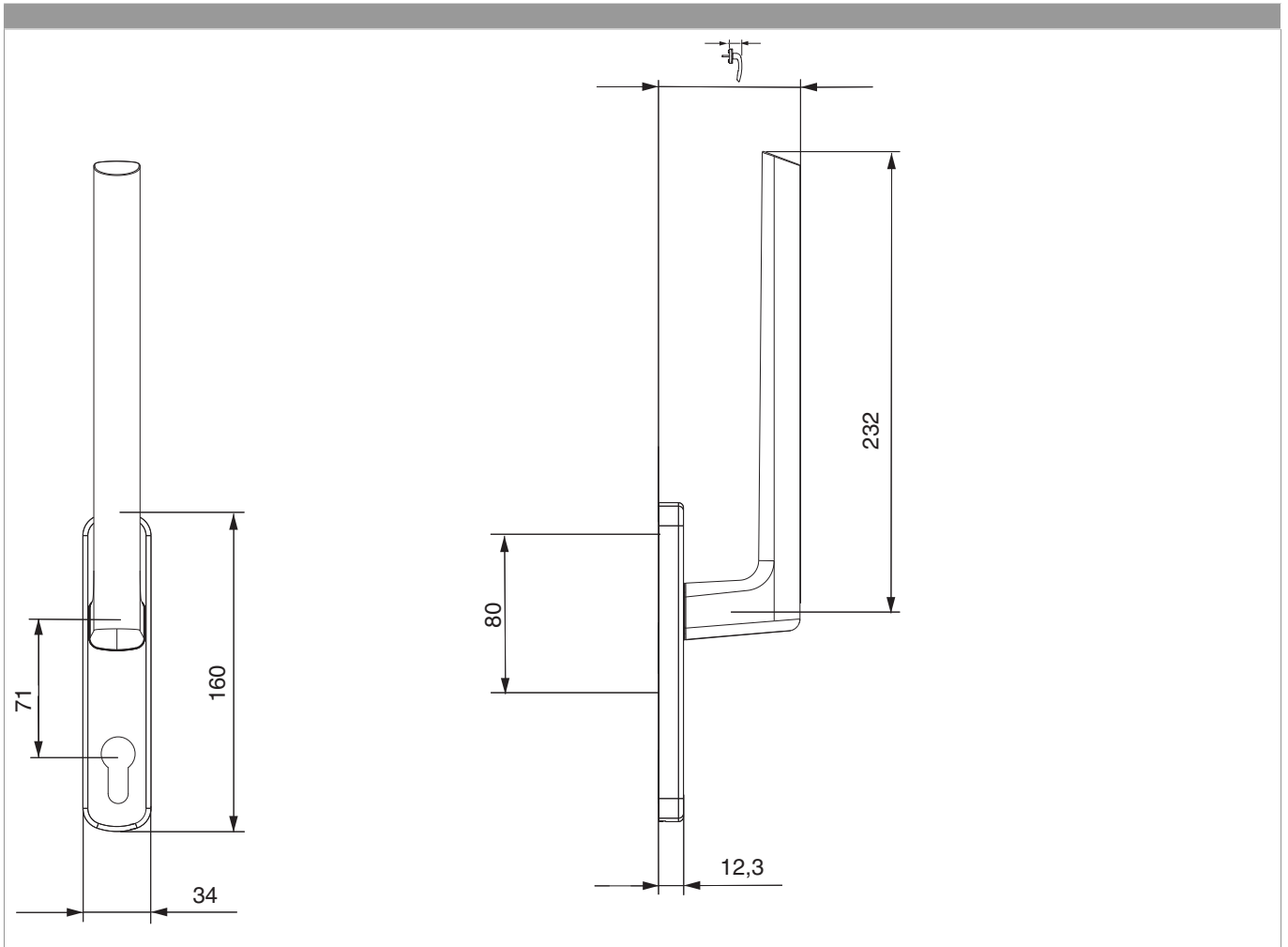
Drilling and routing pattern





227609 - HS handle 12 external handle PC without spindle
10 jet black RAL 9005 matt

Dimensions





227609 - HS handle 12 external handle PC without spindle
10 jet black RAL 9005 matt

Installation

