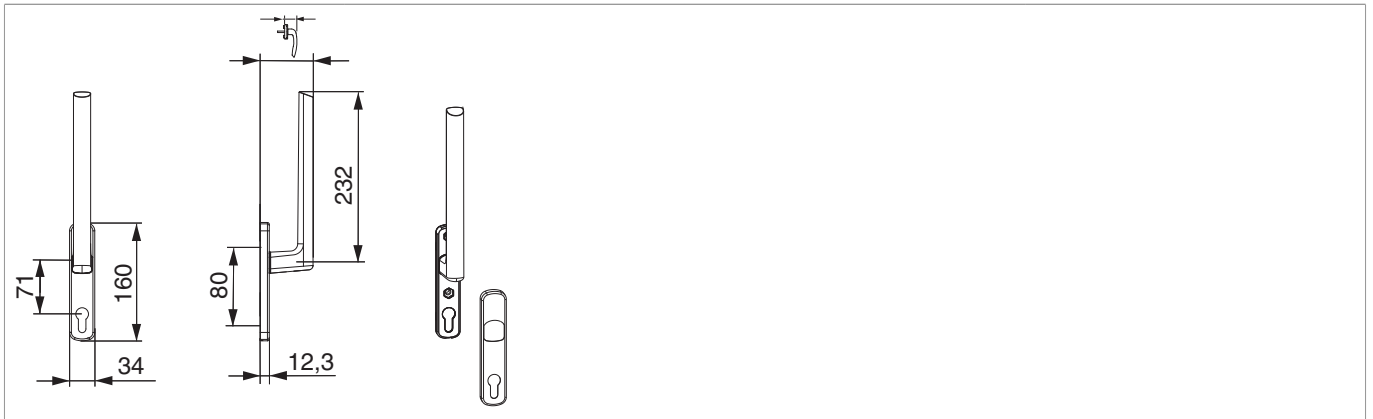


## 218416 - HS handle 12 external handle PC without spindle 10 silver F1

### Technical drawing



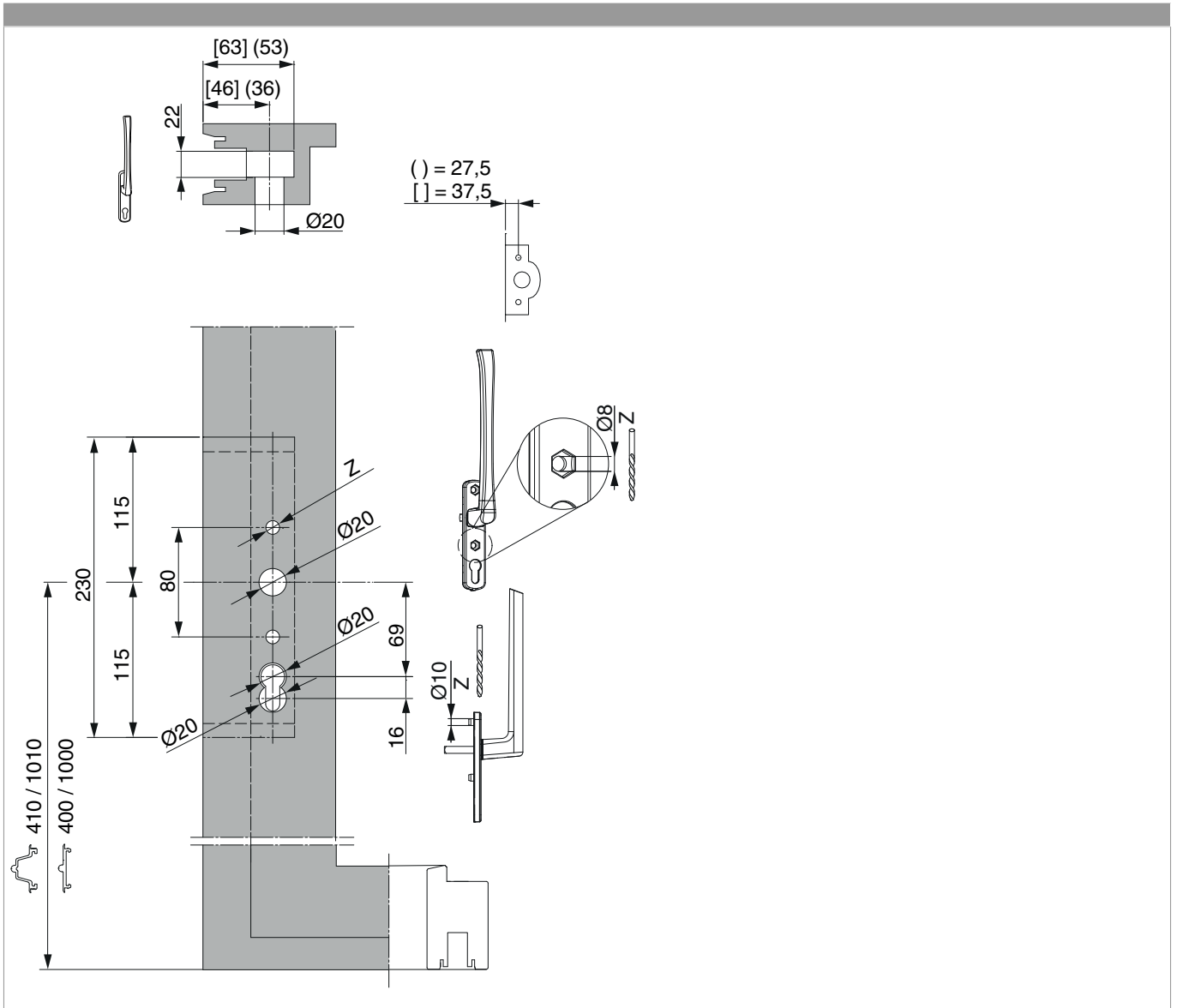
								<b>No</b>
silver F1	external handle	72	34	10	32	anodised	1	218416

### Product image





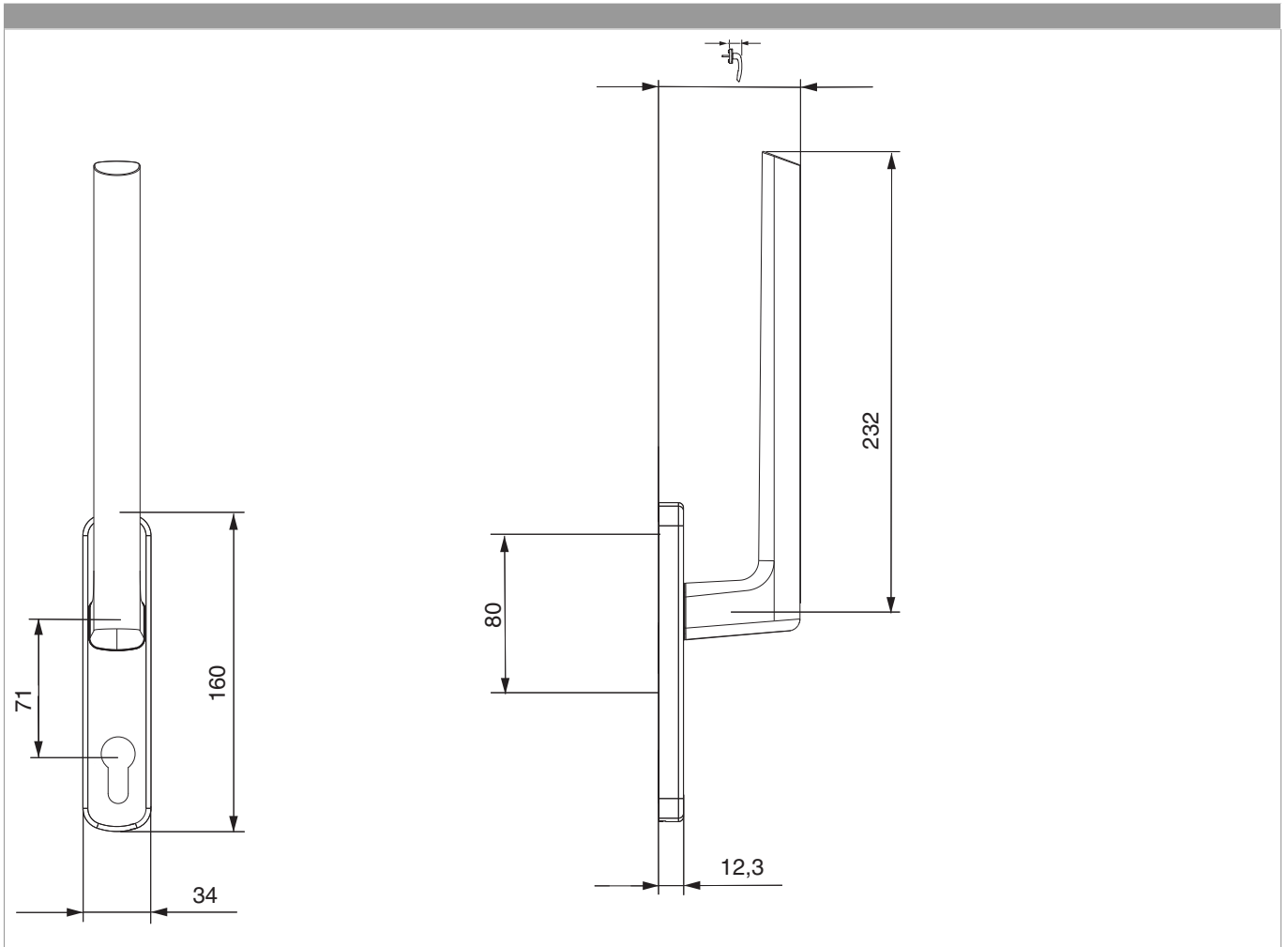
### Drilling and routing pattern





218416 - HS handle 12 external handle PC without spindle  
10 silver F1

Dimensions





218416 - HS handle 12 external handle PC without spindle  
10 silver F1

Installation

