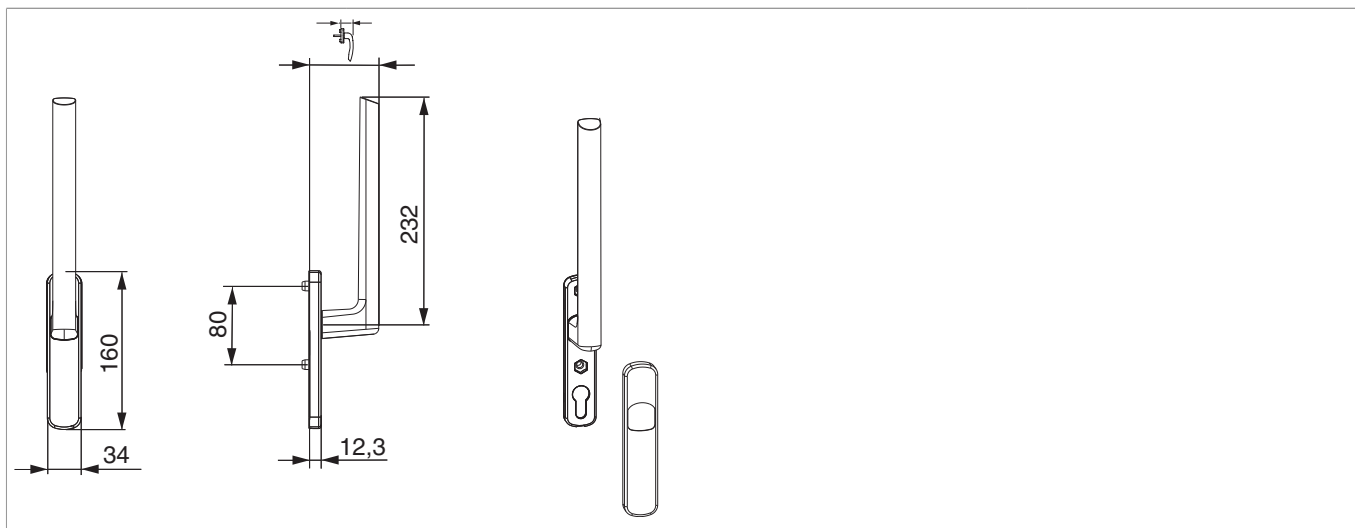


218397 - HS handle 12 internal handle internal lugs 10 without spindle 10 silver F1

Technical drawing



silver F1	internal handle	10	72	34	10	32	anodised	1	218397

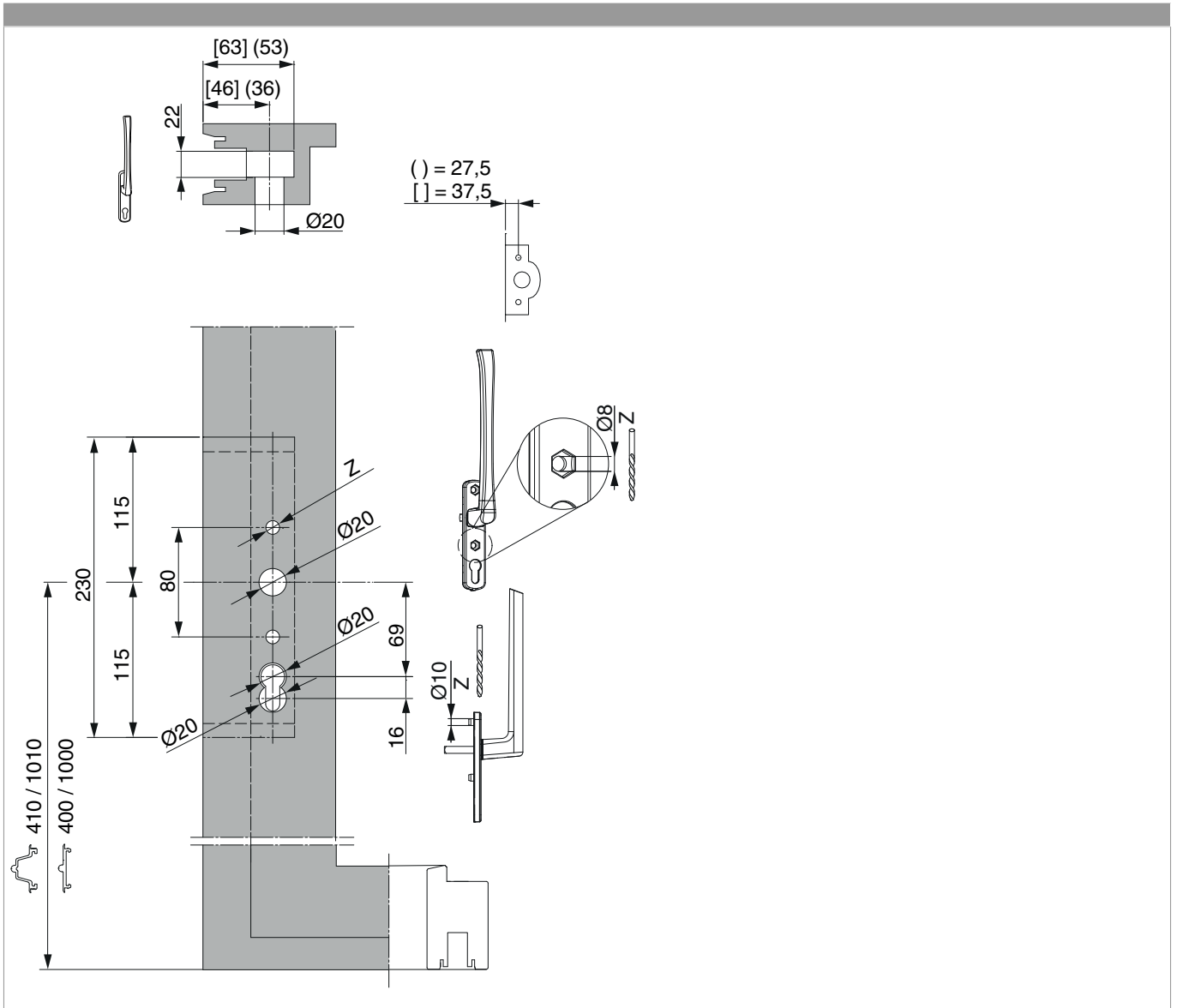
Product image





218397 - HS handle 12 internal handle internal lugs 10 without spindle 10 silver F1

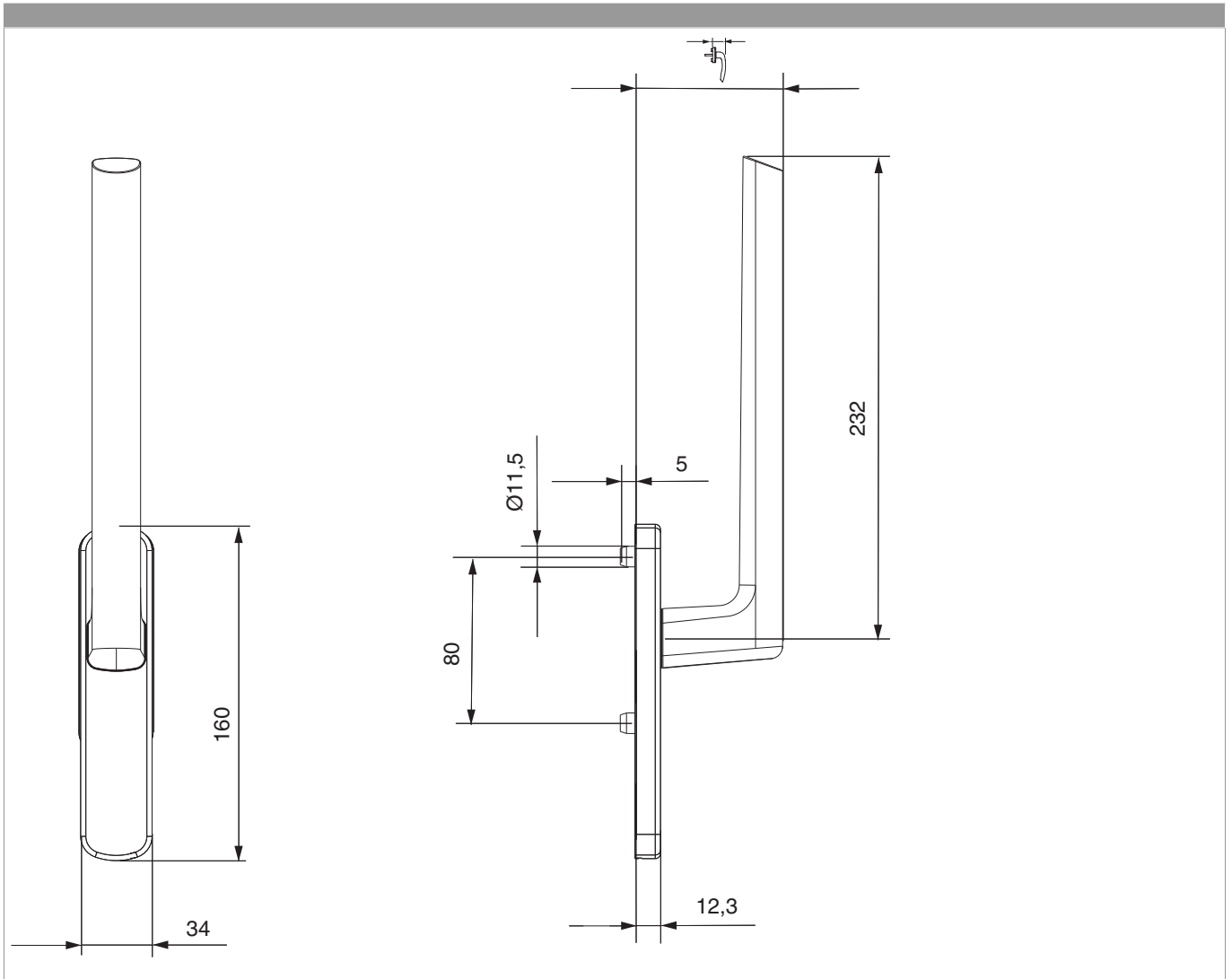
Drilling and routing pattern





218397 - HS handle 12 internal handle internal lugs 10
without spindle 10 silver F1

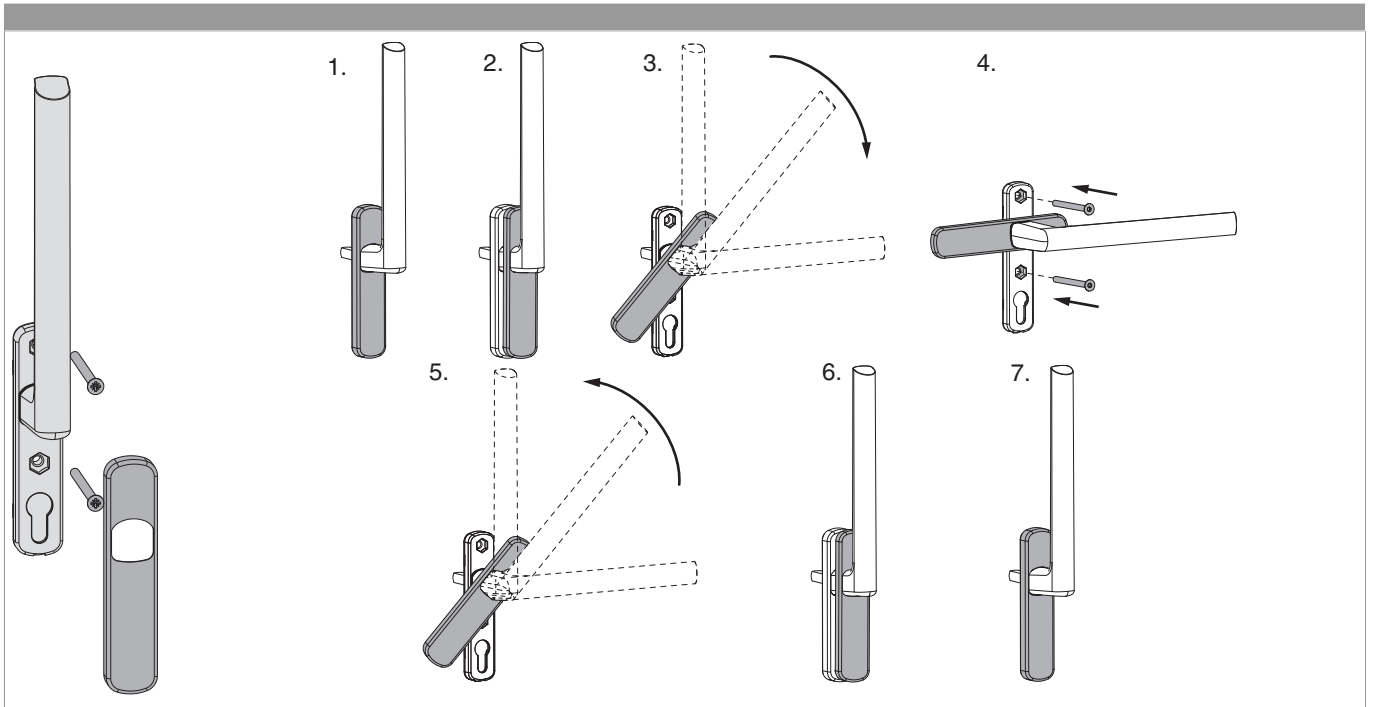
Dimensions

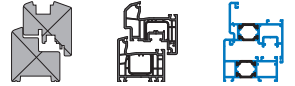




218397 - HS handle 12 internal handle internal lugs 10
without spindle 10 silver F1

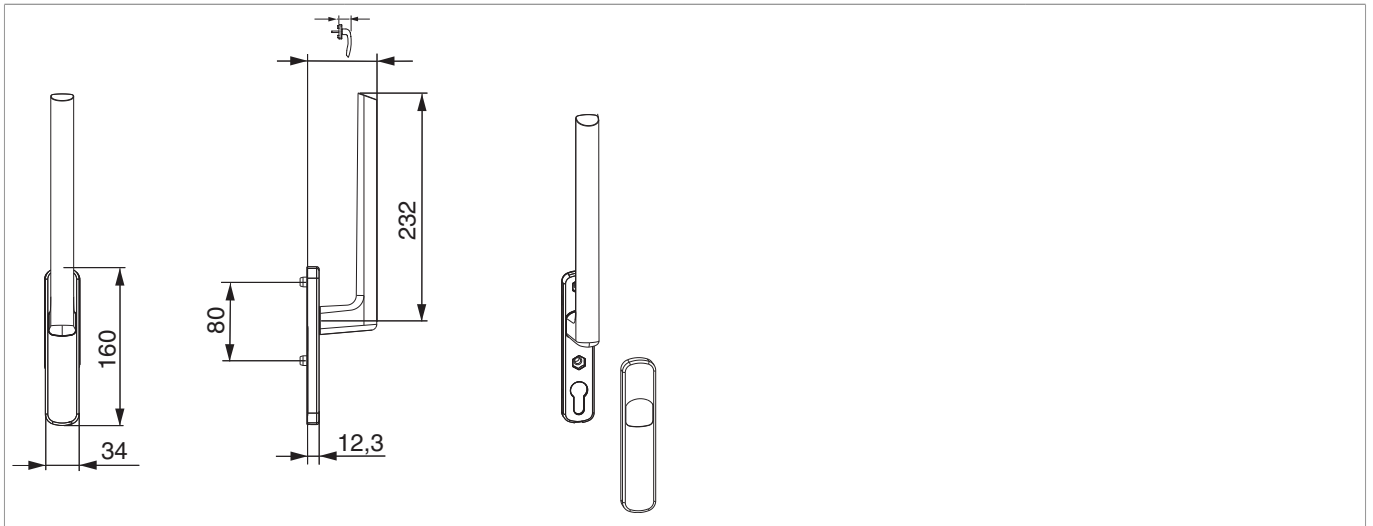
Installation





226148 - HS handle 12 internal handle internal lugs 10 without spindle 10 jet black RAL 9005 matt

Technical drawing



jet black RAL 9005	internal handle	10	72	34	10	32	powder coated	1	226148

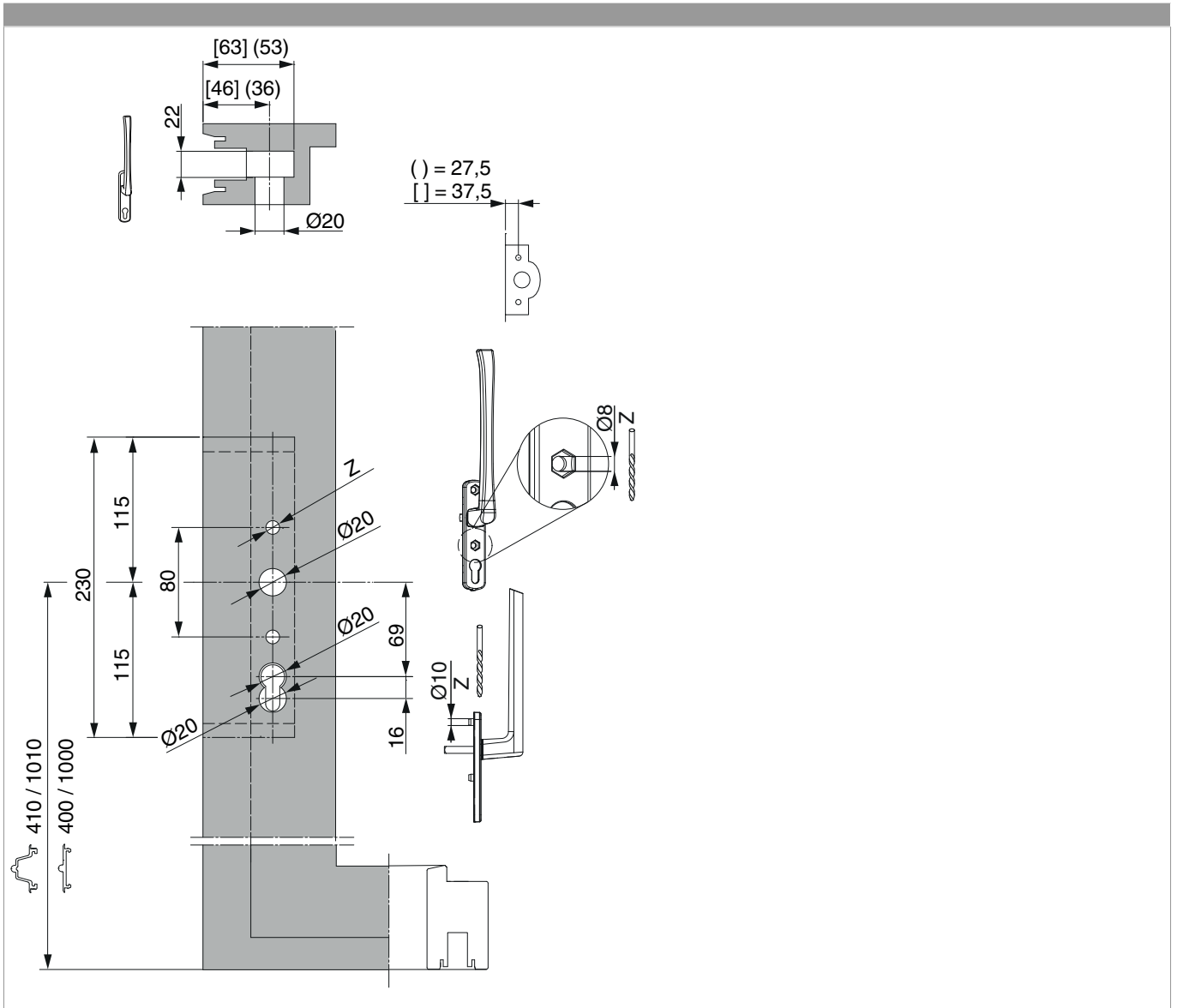
Product image





226148 - HS handle 12 internal handle internal lugs 10
without spindle 10 jet black RAL 9005 matt

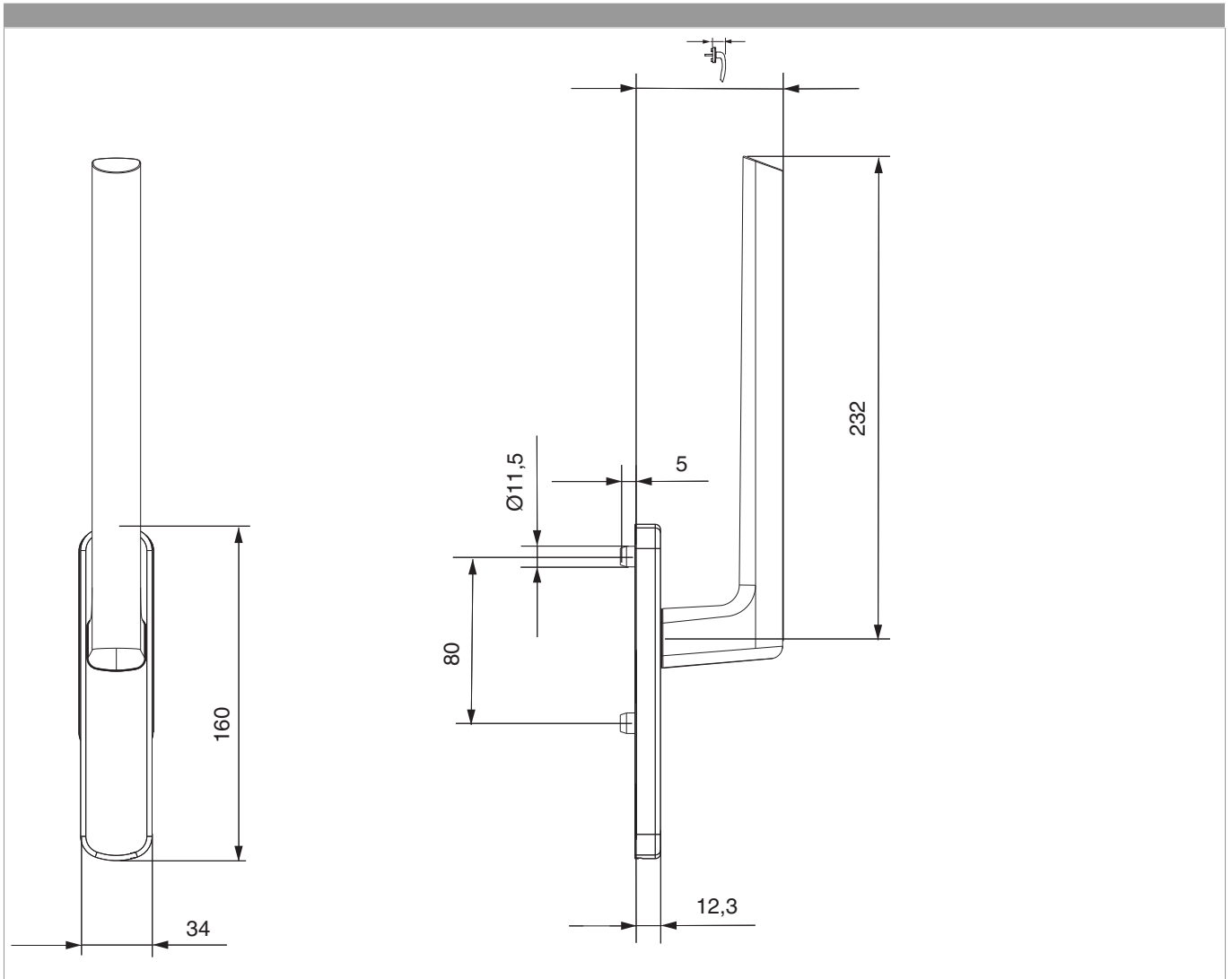
Drilling and routing pattern





226148 - HS handle 12 internal handle internal lugs 10
without spindle 10 jet black RAL 9005 matt

Dimensions





226148 - HS handle 12 internal handle internal lugs 10
without spindle 10 jet black RAL 9005 matt

Installation

