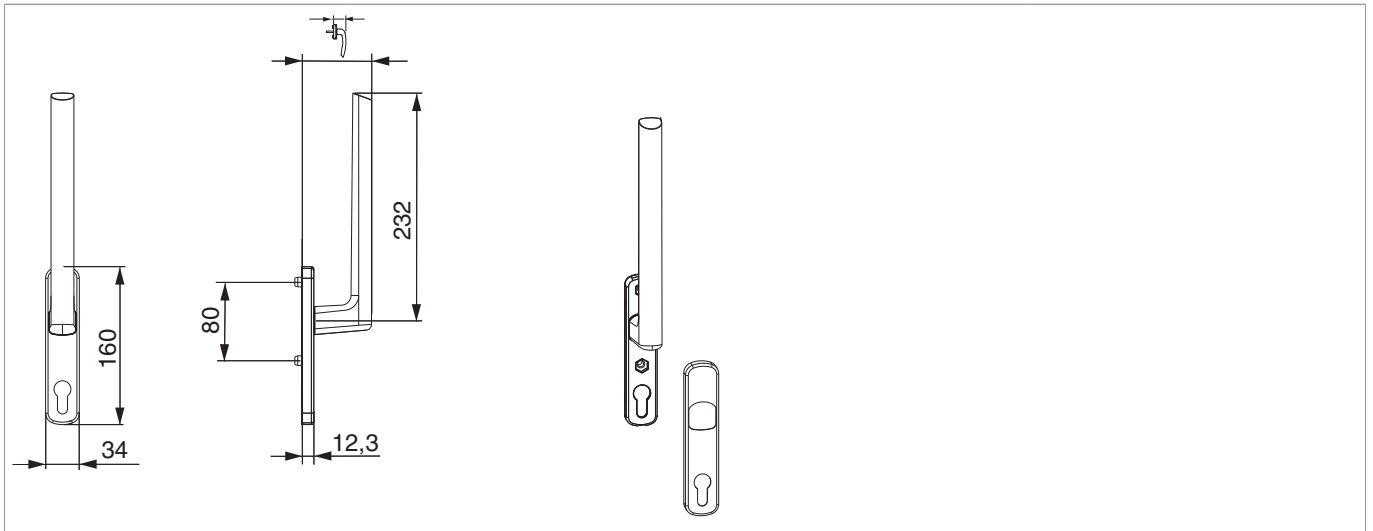


218402 - HS handle 12 internal handle PC internal lugs 10 without spindle 10 black brown RAL 8022 silk gloss

Technical drawing



black brown RAL 8022	internal handle	10	72	34	10	32	powder coated	1	218402

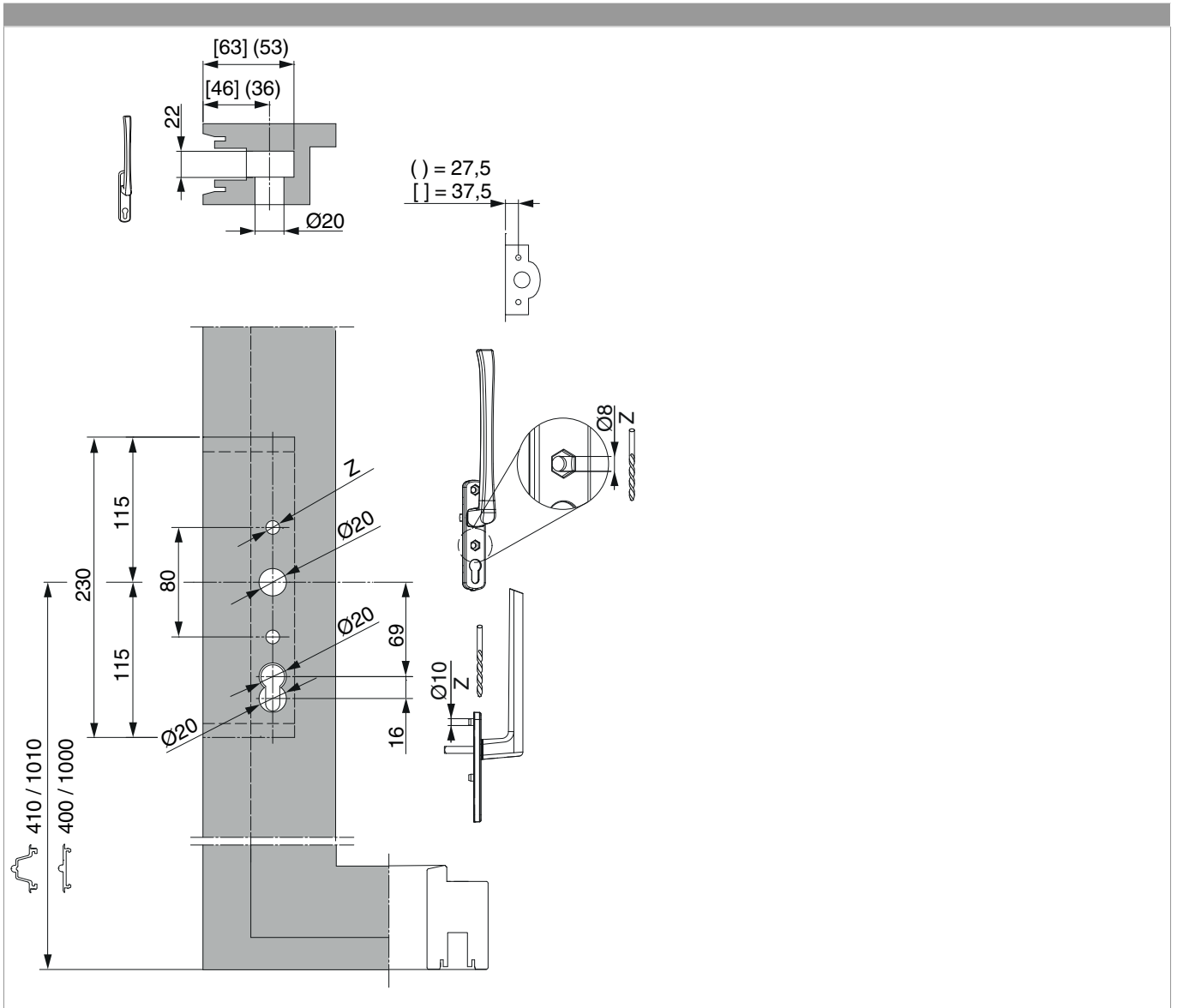
Product image





218402 - HS handle 12 internal handle PC internal lugs 10
without spindle 10 black brown RAL 8022 silk gloss

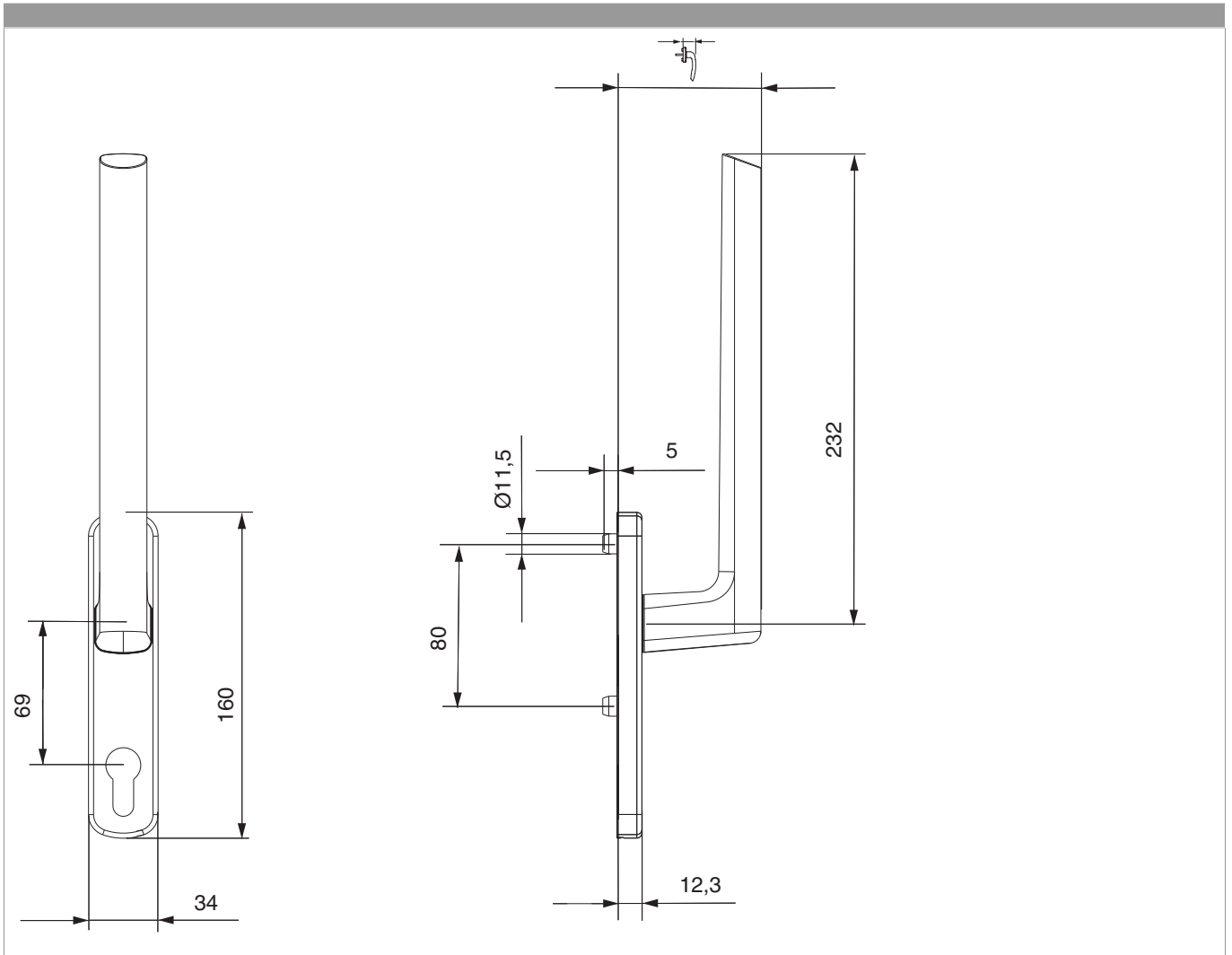
Drilling and routing pattern





218402 - HS handle 12 internal handle PC internal lugs 10
without spindle 10 black brown RAL 8022 silk gloss

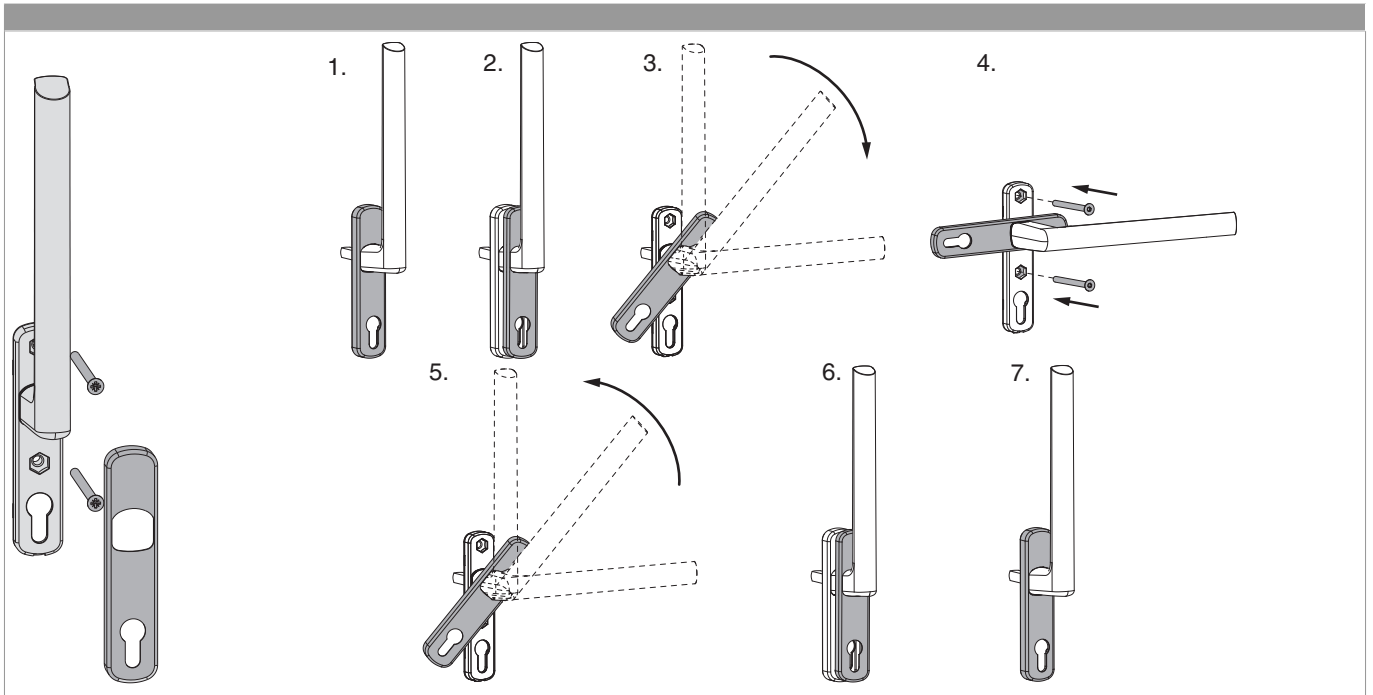
Dimensions





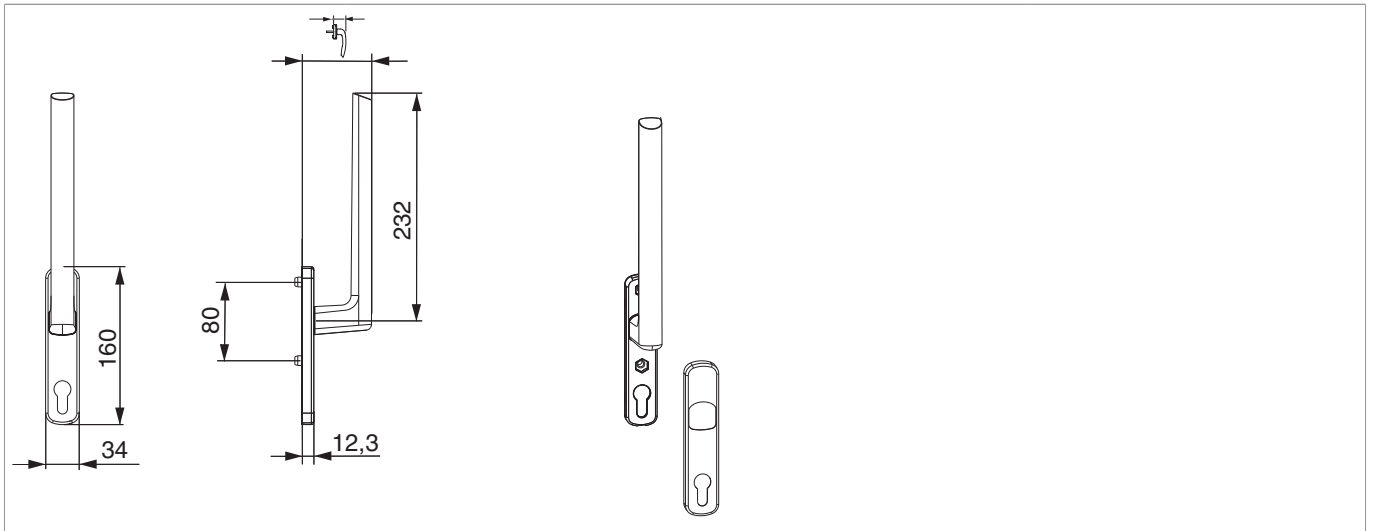
218402 - HS handle 12 internal handle PC internal lugs 10
without spindle 10 black brown RAL 8022 silk gloss

Installation



218403 - HS handle 12 internal handle PC internal lugs 10 without spindle 10 silver F1

Technical drawing



silver F1	internal handle	10	72	34	10	32	anodised	1	218403

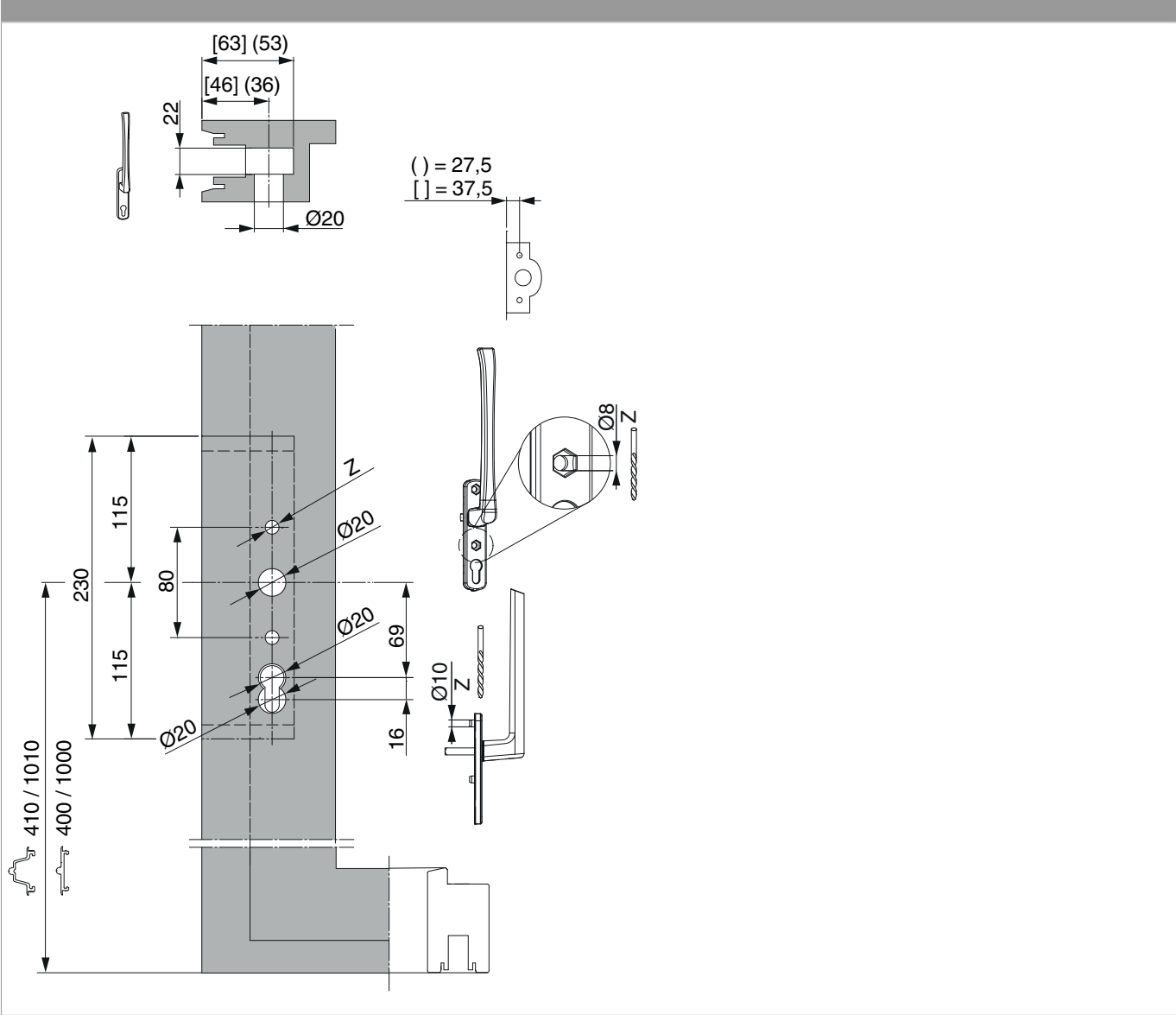
Product image





218403 - HS handle 12 internal handle PC internal lugs 10
without spindle 10 silver F1

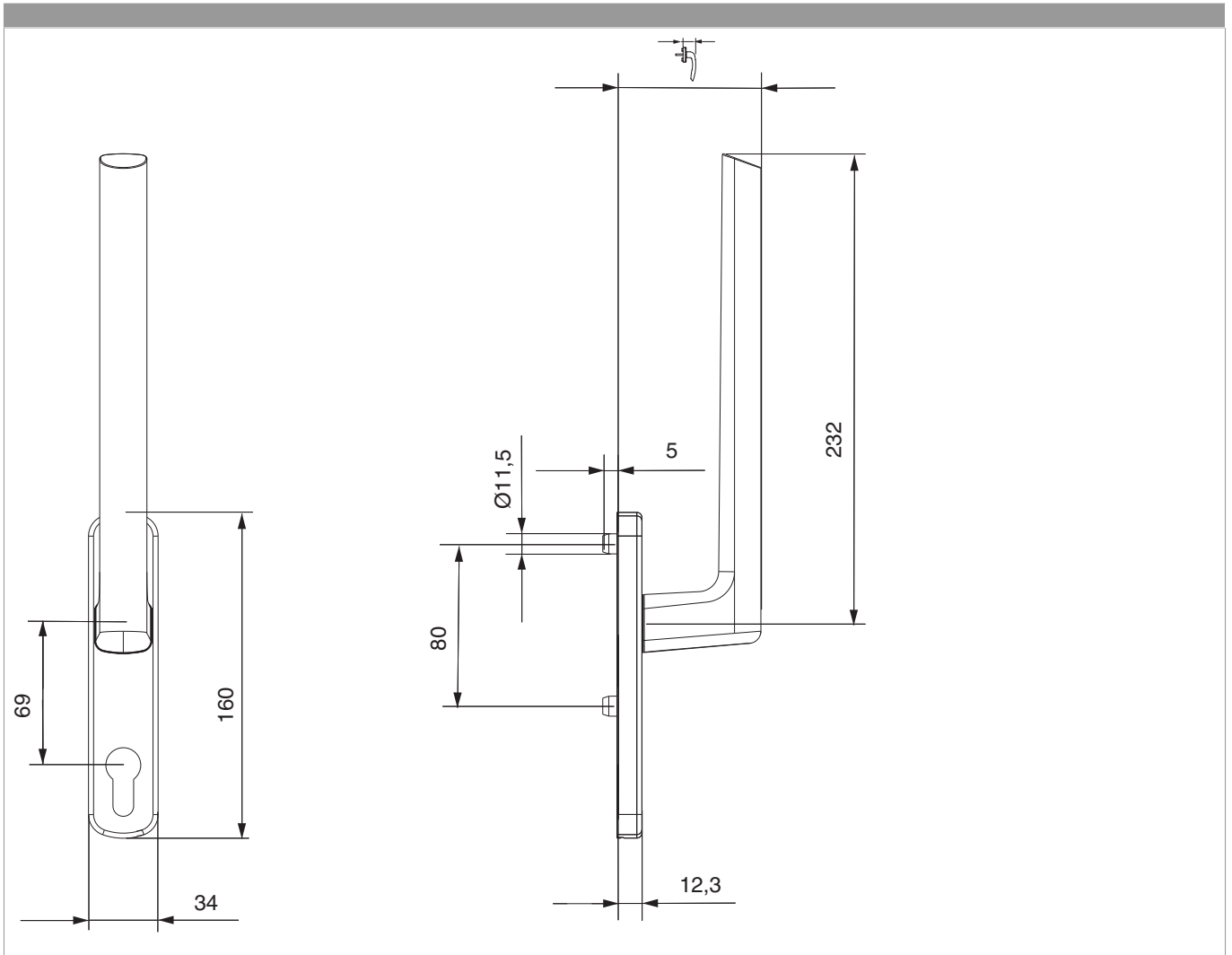
Drilling and routing pattern





218403 - HS handle 12 internal handle PC internal lugs 10
without spindle 10 silver F1

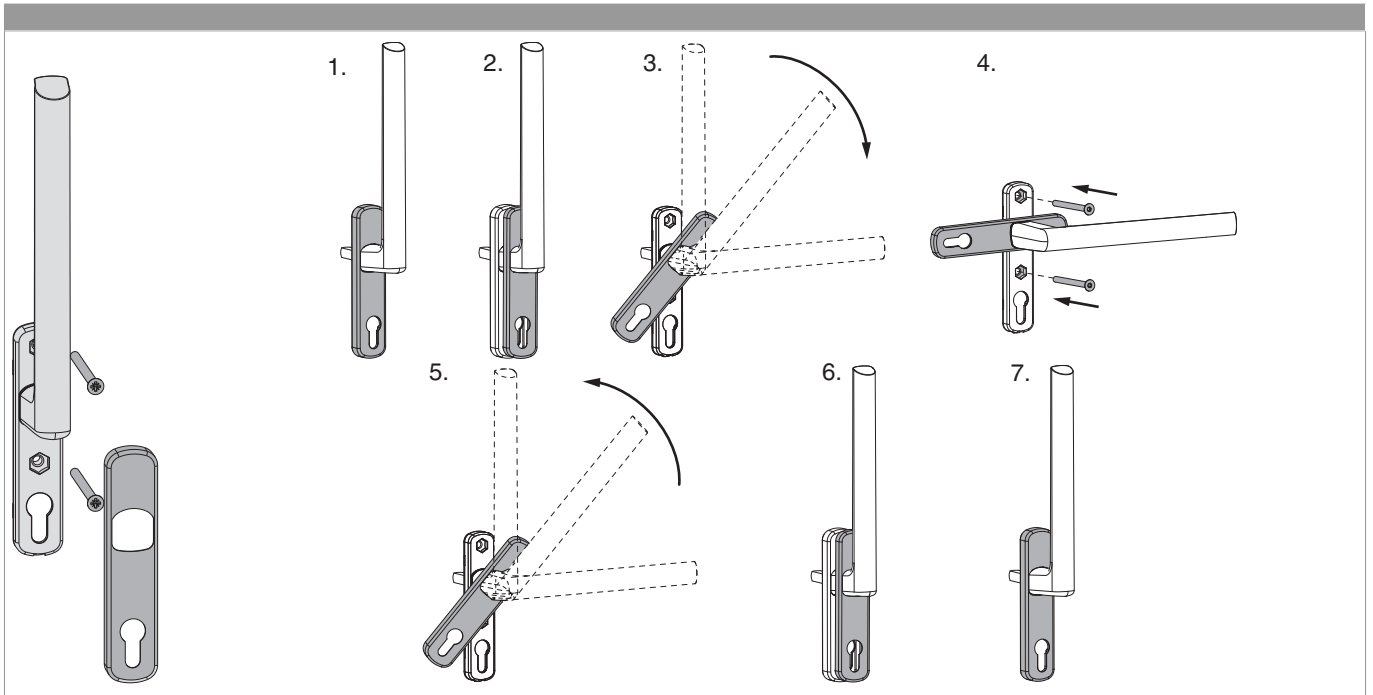
Dimensions





218403 - HS handle 12 internal handle PC internal lugs 10
without spindle 10 silver F1

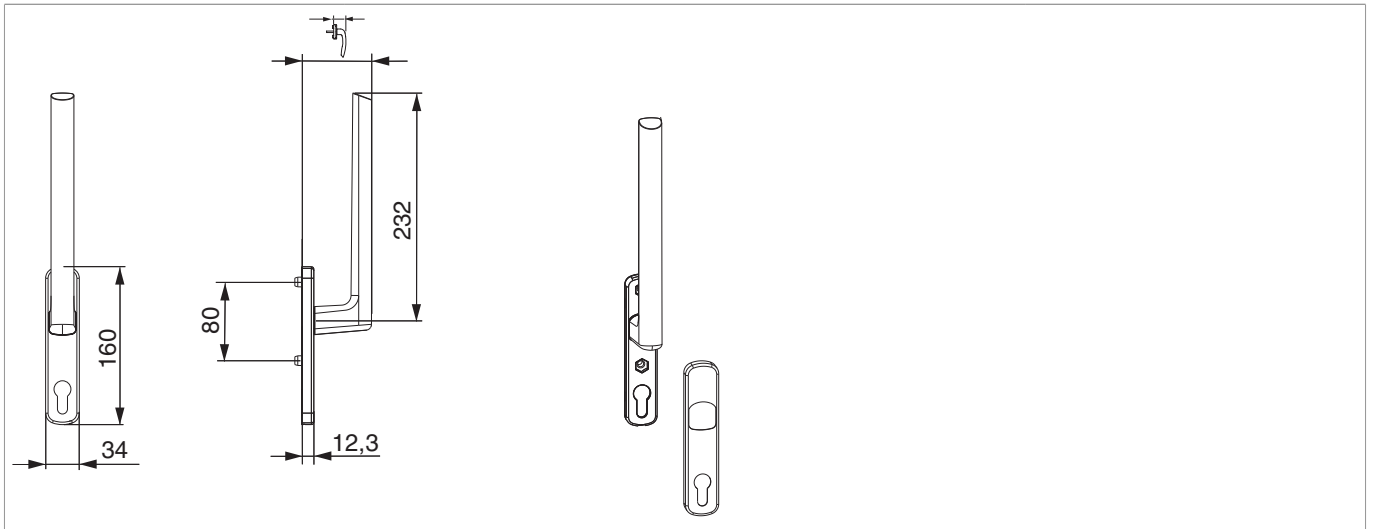
Installation





218405 - HS handle 12 internal handle PC internal lugs 10 without spindle 10 traffic white RAL 9016 silk gloss

Technical drawing



traffic white RAL 9016	internal handle	10	72	34	10	32	powder coated	1	218405

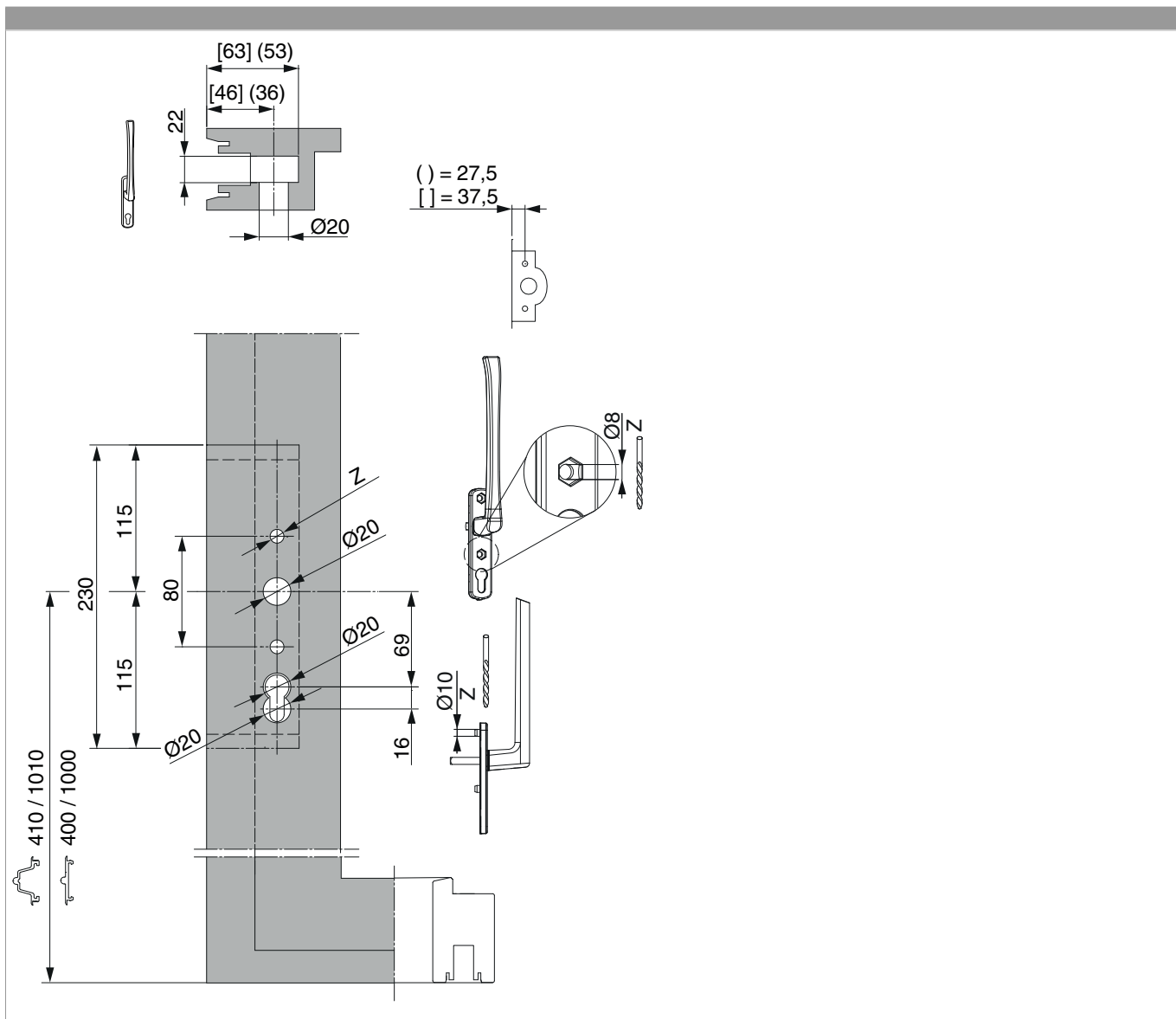
Product image





218405 - HS handle 12 internal handle PC internal lugs 10
without spindle 10 traffic white RAL 9016 silk gloss

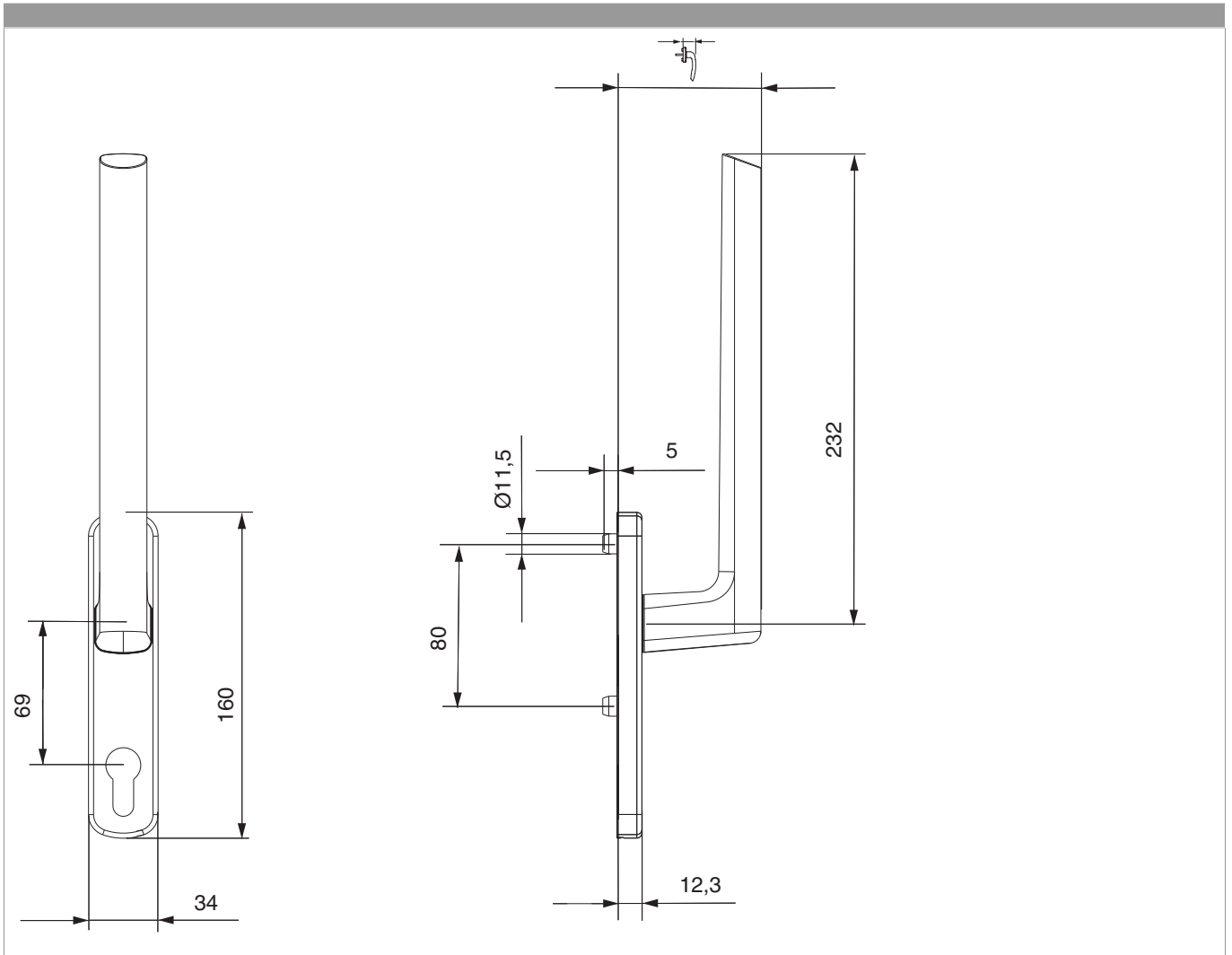
Drilling and routing pattern





218405 - HS handle 12 internal handle PC internal lugs 10
without spindle 10 traffic white RAL 9016 silk gloss

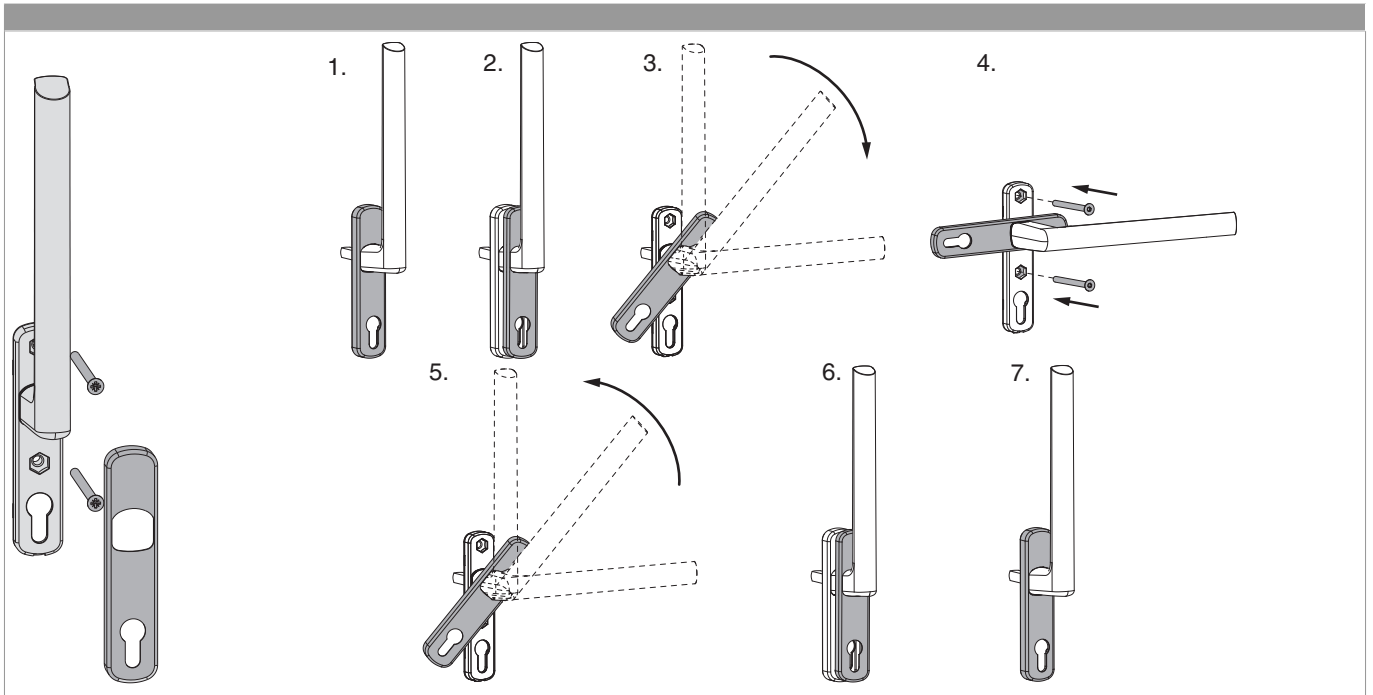
Dimensions

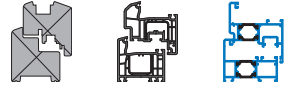




218405 - HS handle 12 internal handle PC internal lugs 10
without spindle 10 traffic white RAL 9016 silk gloss

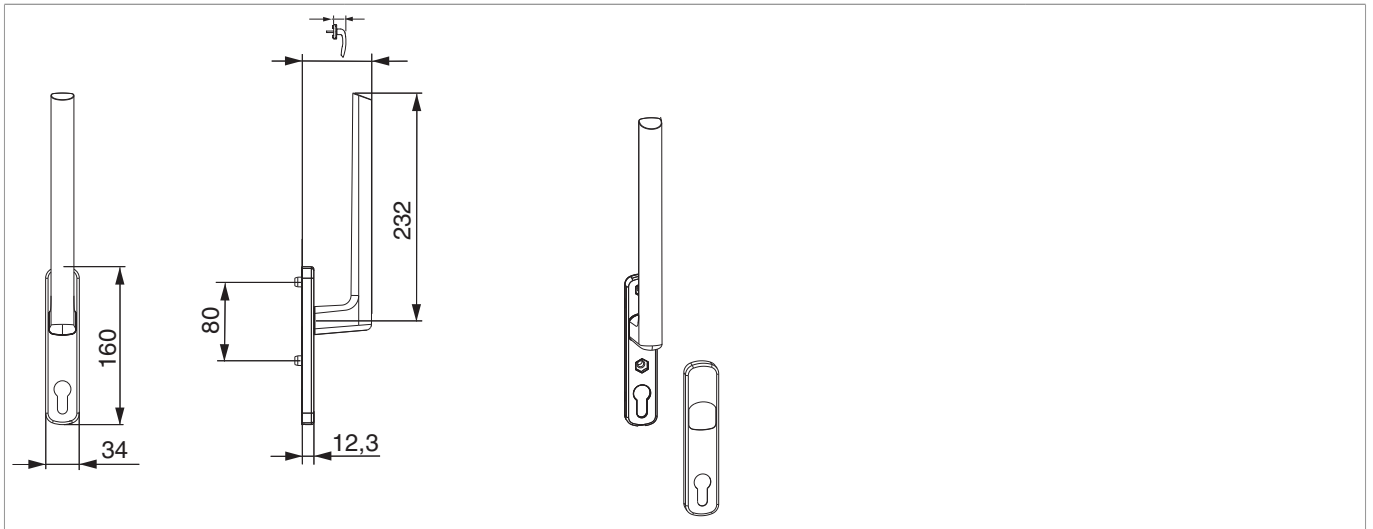
Installation





226239 - HS handle 12 internal handle PC internal lugs 10 without spindle 10 jet black RAL 9005 matt

Technical drawing



jet black RAL 9005	internal handle	10	72	34	10	32	powder coated	1	226239

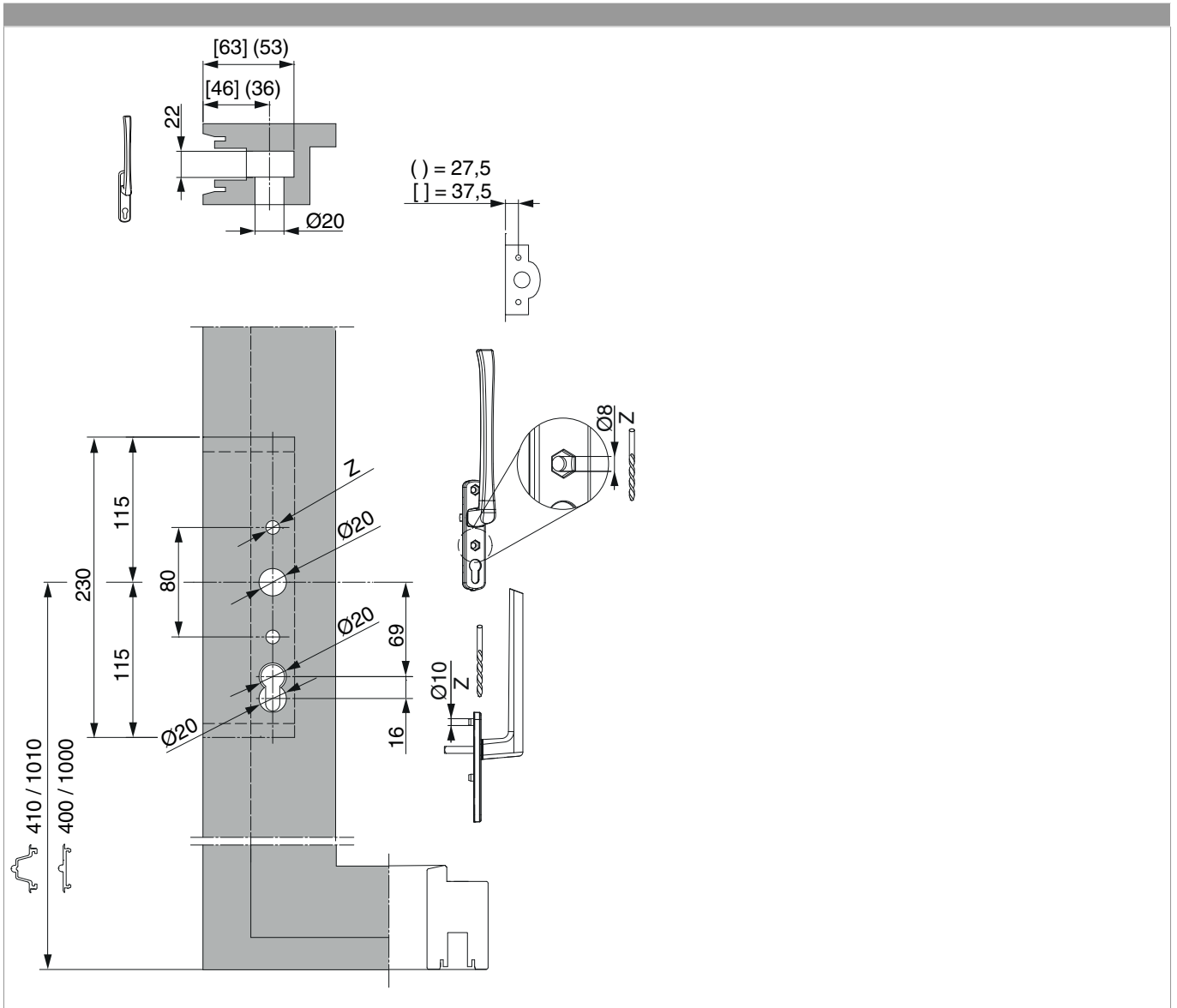
Product image





226239 - HS handle 12 internal handle PC internal lugs 10
without spindle 10 jet black RAL 9005 matt

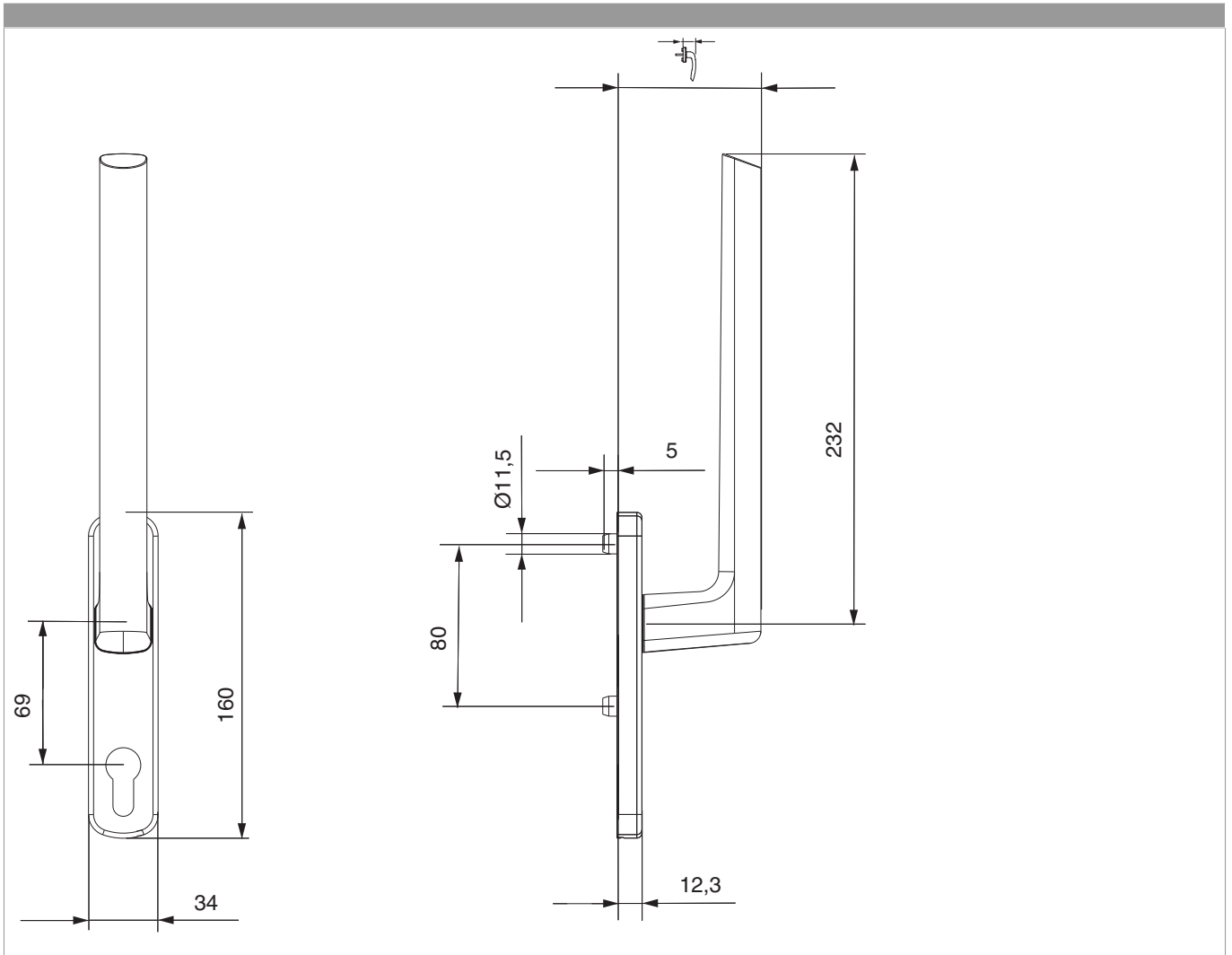
Drilling and routing pattern





226239 - HS handle 12 internal handle PC internal lugs 10
without spindle 10 jet black RAL 9005 matt

Dimensions





226239 - HS handle 12 internal handle PC internal lugs 10
without spindle 10 jet black RAL 9005 matt

Installation

