

BZ 100 35/50

Product Data Sheet

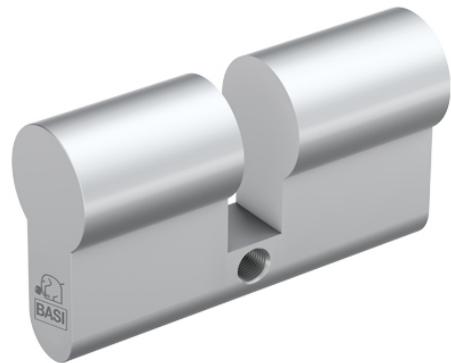


Description:

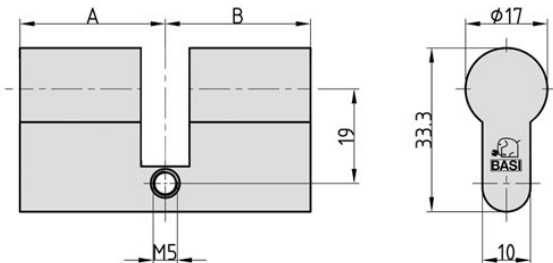
The robust profile blind cylinder BZ 100 is a door cylinder without a locking function. With the BZ 100, euro profile cylinder holes can be optimally and attractively sealed. The blind cylinder is inserted into the slot in the door in exactly the same way as a standard door cylinder. The BZ 100 is available in various lengths.

- Dimensions: 35/50 mm
- Material: solid brass
- Surface: matt nickel-plated


Illustration:



Technical Details:



Details:

Order no.
5990-0520
Weight
262 g
Pricegroup
171
EAN
 4 026434 178104