

# BZ 100 35/45

## Product Data Sheet

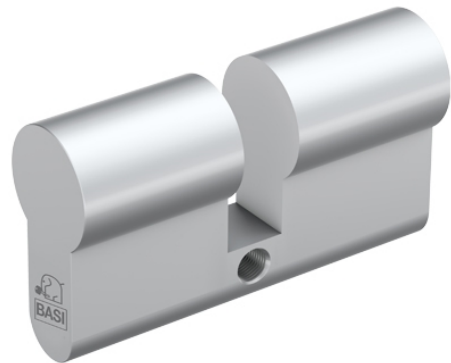


### Description:

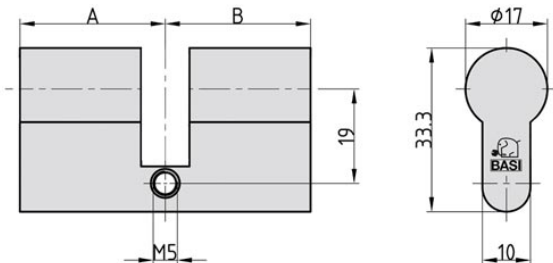
The robust profile blind cylinder BZ 100 is a door cylinder without a locking function. With the BZ 100, euro profile cylinder holes can be optimally and attractively sealed. The blind cylinder is inserted into the slot in the door in exactly the same way as a standard door cylinder. The BZ 100 is available in various lengths.

- Dimensions: 35/55 mm
- Material: solid brass
- Surface: matt nickel-plated


### Illustration:



### Technical Details:



### Details:

<b>Order no.</b>
5990-0515
<b>Weight</b>
246 g
<b>Pricegroup</b>
171
<b>EAN</b>
 4 026434 175769