

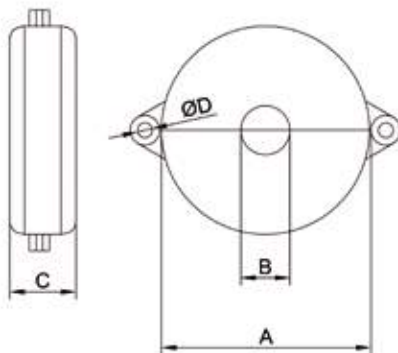


Gate valve lockouts

ART00756



DIMENSIONS



FEATURES

- Designed in five different sizes to suit any kind of gate valve: Ø 65 mm, Ø 130 mm, Ø 170 mm, Ø 255 mm and Ø 330 mm.
- Made from high impact and abrasion wear resistant ABS polymer.
- Resistant to temperatures between -40°C and 180°C.
- Lockable with an 8.5 mm maximum shackle diameter padlock.
- Includes marking stickers for the valve protected by the locking device.

	Valve lockout 25-64	Valve lockout 64-127	Valve lockout 127-165	Valve lockout 165-264	Valve lockout 254-300
A	65	130	170	265	330
B	15	40	65	90	95
C	30	40	45	90	70
D	9	9	9	9	9